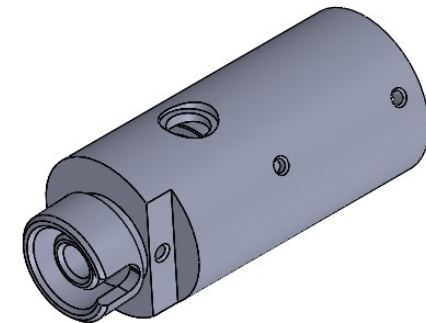
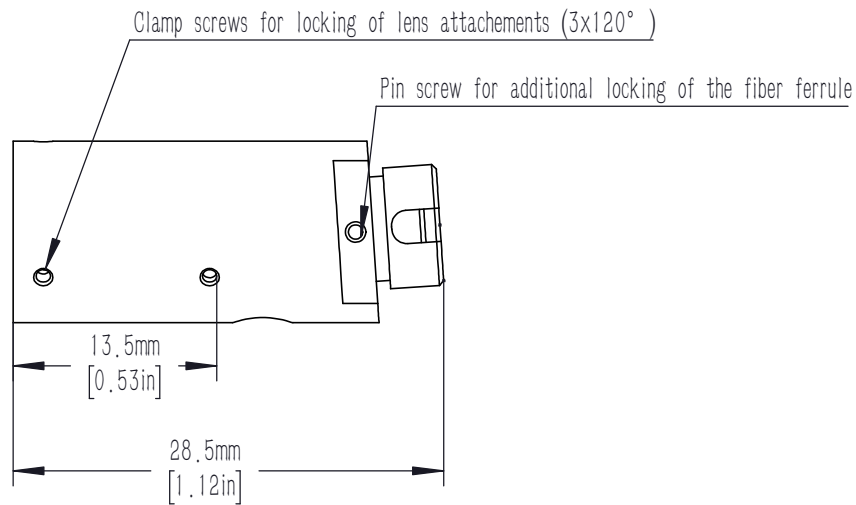


FC/APC interface Wide keys



notes:

- 1.focal length: 2.0 mm
- 2.Waist beam spot diameter: 0.38 mm@SMF28E
- 3.NA,0.5
- 4.Lens material:D-ZLAF52LA
- 5.Interface type: FC/APC
- 6.Lens coating: 1050-1700 nm

DRAWING PROJECTION			LBTEK			
	NAME	DATE				
DRAWN	BSHU	Feb./3rd/24	FIBER COLLIMATOR			
APPROVAL	WCHENG	Feb./3rd/24	MATERIAL	WEIGHT	SCALE	REV
FOR INFORMATION ONLY NOT FOR MANUFACTURING PURPOSES			Copper alloys	14.5g	2:1	A