

clamp screws for locking optics position (2x120°)

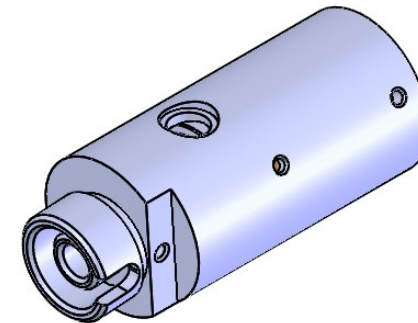
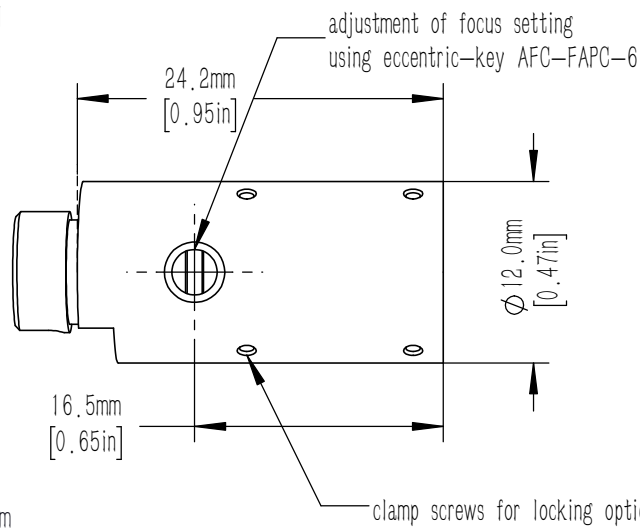
A-A

adjustment of focus setting using eccentric-key AFC-FAPC-6



Pin screw for additional locking of the fiber ferrule:
 - before pulling the FC-APC-connector;
 unlock the pin screw.
 -before inserting the FC-APC-connector;
 make sure the ferrule is not blocked

clamp screws for locking of lens attachments (3x120°)



notes:

- 1.focal length: 4.6 mm
- 2.Waist beam spot diameter: 0.89 mm@SMF-28E
- 3.NA:0.5
- 4.Lens material.D-ZK3
- 5.Interface type: FC/APC
- 6.Lens coating: 1050 - 1700 nm

DRAWING PROJECTION			LBTEK			
NAME	DATE	ADFCC-4.6-APC				
DRAWN	BSHU	Feb./3rd/24	FIBER COLLIMATOR			
APPROVAL	WCHENG	Feb./3rd/24	MATERIAL	WEIGHT	SCALE	REV
FOR INFORMATION ONLY NOT FOR MANUFACTURING PURPOSES			N/A	0.004 Kg	2:1	A