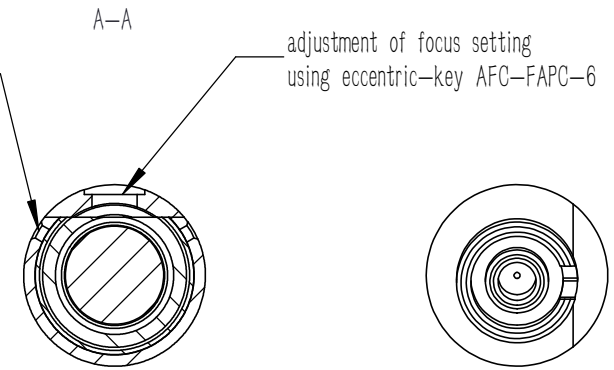
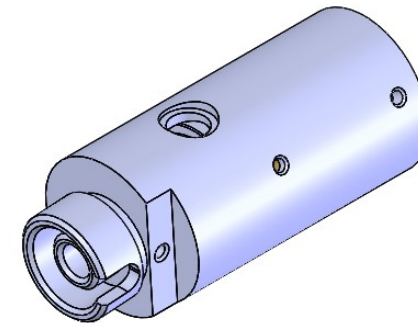
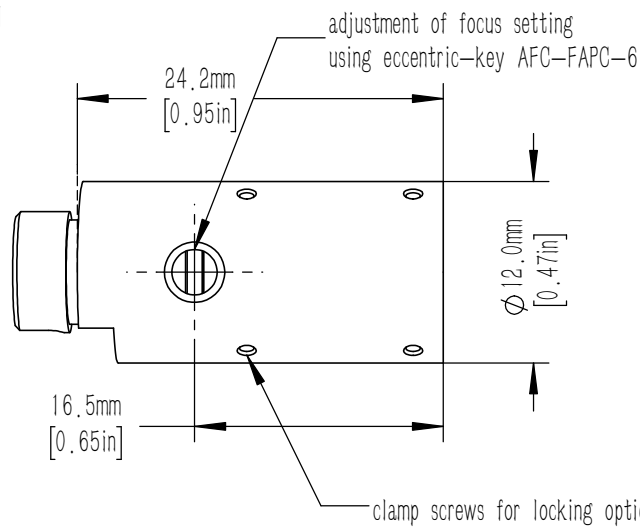


clamp screws for locking optics position (2x120°)



Pin screw for additional locking of the fiber ferrule:
 - before pulling the FC-APC-connector;
 unlock the pin screw.
 -before inserting the FC-APC-connector;
 make sure the ferrule is not blocked

clamp screws for locking of lens attachments (3x120°)



notes:

1. focal length: 7.5 mm
2. Waist beam spot diameter: 1.45 mm@SMF-28E
3. NA: 0.3
4. Lens material: D-ZLAF52LA
5. Interface type: FC/APC
6. Lens coating: 1050 - 1700 nm

DRAWING PROJECTION			LBTEK			
	NAME	DATE	FIBER COLLIMATOR			
DRAWN	BSHU	Feb. /3rd/24	MATERIAL	WEIGHT	SCALE	REV
APPROVAL	WCHENG	Feb. /3rd/24	N/A	0.013 Kg	2:1	A
FOR INFORMATION ONLY NOT FOR MANUFACTURING PURPOSES						