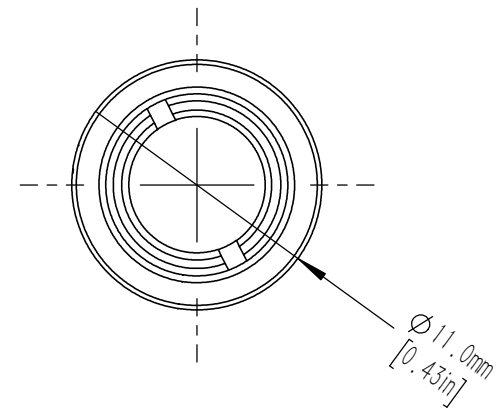


NOTE

1. OUTPUT BEAM DIAMETER: 2.0 mm
2. FULL ANGLE BEAM DIVERGENCE:  $\leq 0.047^\circ$
3. AR COATING:  $R \leq 0.5\%$  @ 1100 nm-1650 nm
4. WAVELENGTH USED FOR ALIGNMENT : 1310 nm
5. USE INTERFACES: FC/APC



DRAWING PROJECTION			<b>LBTEK</b>			
	NAME	DATE	Stationary aspherical collimator			
DRAWN	BSHU	DEC./20th/24	MATERIAL	WEIGHT	SCALE	REV
APPROVAL	WCHENG	DEC./20th/24	D-ZK3	9g	3:1	A
FOR INFORMATION ONLY NOT FOR MANUFACTURING PURPOSES						