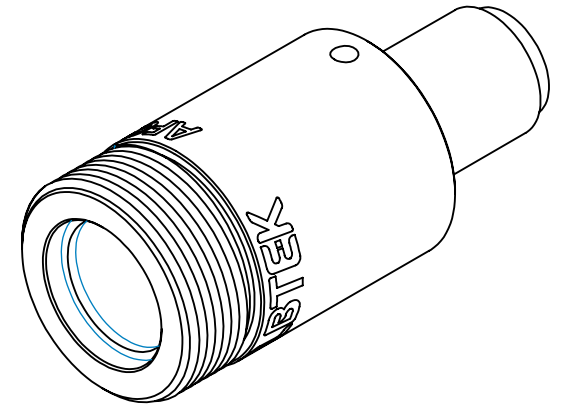
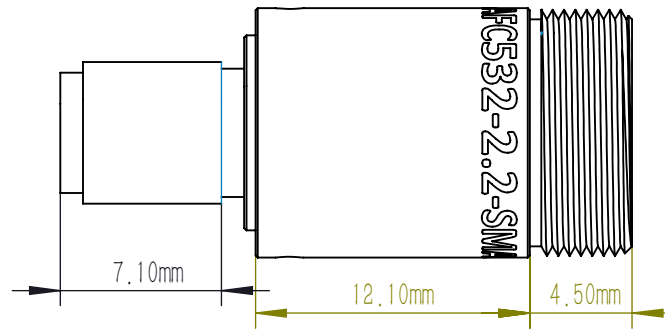
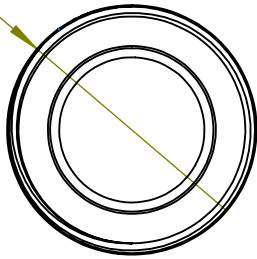


Ø 11.00mm



NOTE

1. OUTPUT BEAM DIAMETER: 2.2 mm
2. FULL ANGLE BEAM DIVERGENCE: $\leq 0.03^\circ$
3. AR COATING: 400 nm–700 nm
4. WAVELENGTH USED FOR ALIGNMENT : 532 nm
5. USE INTERFACES: SMA

| | | | | | | |
|--|--------|--------------|--|--------|-------|-----|
| DRAWING PROJECTION | | | LBTEK | | | |
| | NAME | DATE | AFC532-2.2-SMA | | | |
| DRAWN | BSHU | Aug./26th/24 | $\lambda = 532$ mm SMA BEAM DIAMETER: 2.2 mm | | | |
| APPROVAL | WCHENG | Aug./26th/24 | MATERIAL | WEIGHT | SCALE | REV |
| FOR INFORMATION ONLY NOT FOR MANUFACTURING PURPOSES | | | D-ZK3 | 13.5 g | 2:1 | B |