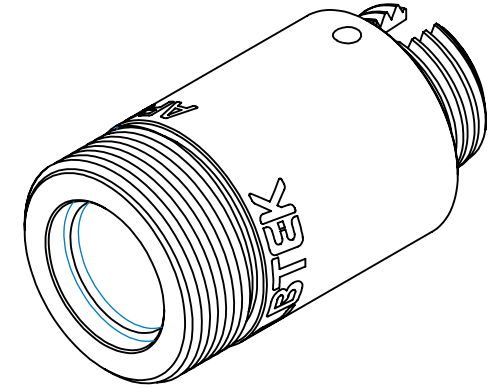
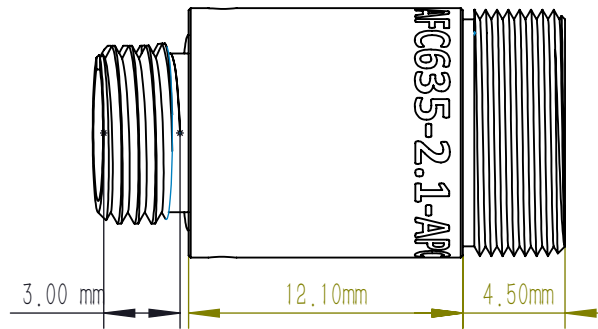
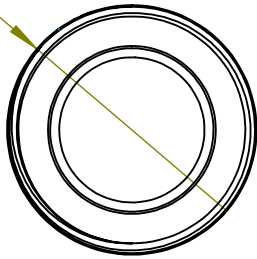


Ø 11.00mm



NOTE

1. OUTPUT BEAM DIAMETER: 2.1 mm
2. FULL ANGLE BEAM DIVERGENCE:  $\leq 0.035^\circ$
3. AR COATING: 400 nm–700 nm
4. WAVELENGTH USED FOR ALIGNMENT : 635 nm
5. USE INTERFACES: FC/APC

DRAWING  
PROJECTION



**LBTEK**

	NAME	DATE	AFC635-2.1-APC			
DRAWN	BSHU	Aug./26th/24	$\lambda = 635$ nm FC/APC BEAM DIAMETER: 2.1 mm			
APPROVAL	WCHENG	Aug./26th/24	MATERIAL	WEIGHT	SCALE	REV
FOR INFORMATION ONLY NOT FOR MANUFACTURING PURPOSES			D-ZK3	13.5 g	2:1	B