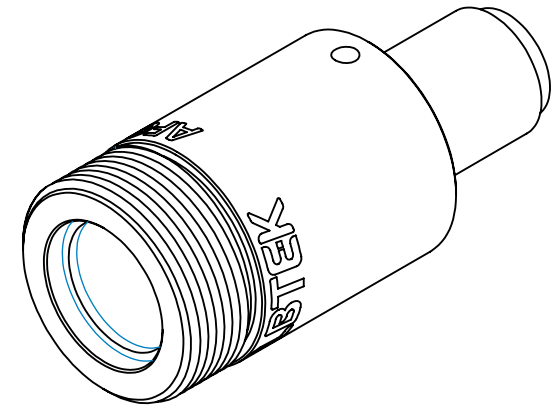
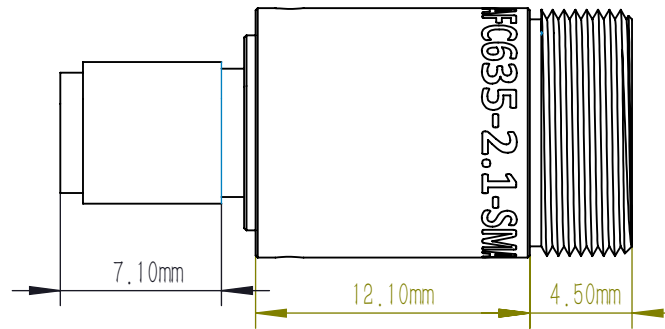
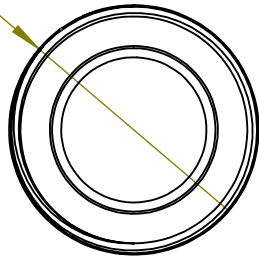


Ø 11.00mm



NOTE

1. OUTPUT BEAM DIAMETER: 2.1 mm
2. FULL ANGLE BEAM DIVERGENCE: $\leq 0.035^\circ$
3. AR COATING: 400 nm–700 nm
4. WAVELENGTH USED FOR ALIGNMENT : 635 nm
5. USE INTERFACES: SMA

| | | | | | | |
|--|--------|---------------|--|--------|-------|-----|
| DRAWING PROJECTION | | | LBTEK | | | |
| | NAME | DATE | AFC635-2.1-SMA | | | |
| DRAWN | BSHU | Aug. /26th/24 | $\lambda = 635$ mm SMA BEAM DIAMETER: 2.1 mm | | | |
| APPROVAL | WCHENG | Aug. /26th/24 | MATERIAL | WEIGHT | SCALE | REV |
| FOR INFORMATION ONLY NOT FOR MANUFACTURING PURPOSES | | | D-ZK3 | 13.5 g | 2:1 | B |