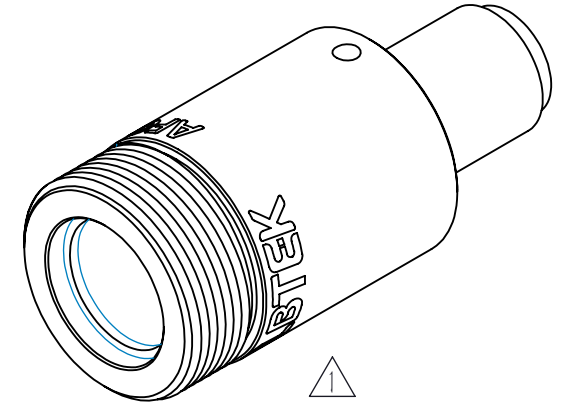
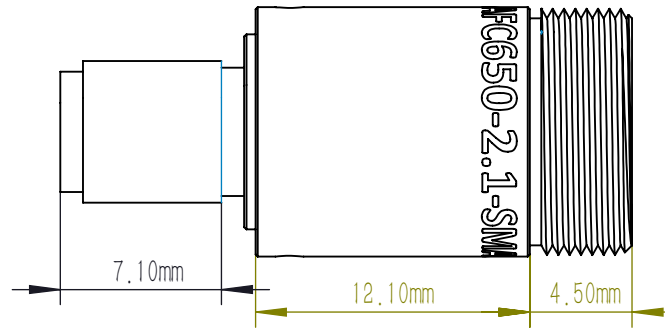
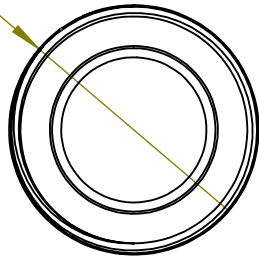


Ø 11.00mm



NOTE

1. OUTPUT BEAM DIAMETER: 2.1 mm
2. FULL ANGLE BEAM DIVERGENCE:  $\leq 0.035^\circ$
3. AR COATING: 400 nm–700 nm
4. WAVELENGTH USED FOR ALIGNMENT : 650 nm
5. USE INTERFACES: SMA

DRAWING PROJECTION			<b>LBTEK</b>			
	NAME	DATE	AFC650-2.1-SMA			
DRAWN	BSHU	Aug. /26th/24	$\lambda = 650$ mm SMA BEAM DIAMETER: 2.1 mm			
APPROVAL	WCHENG	Aug. /26th/24	MATERIAL	WEIGHT	SCALE	REV
FOR INFORMATION ONLY NOT FOR MANUFACTURING PURPOSES			D-ZK3	13.5 g	2:1	B