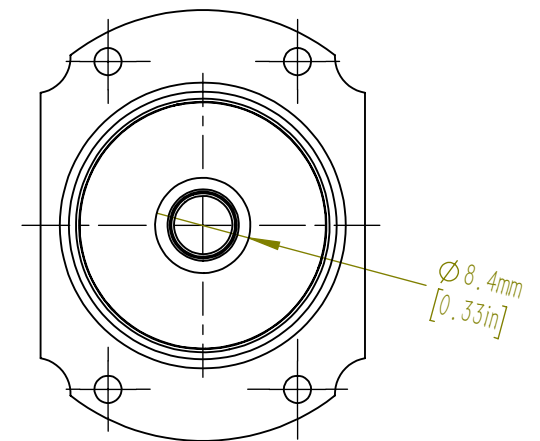
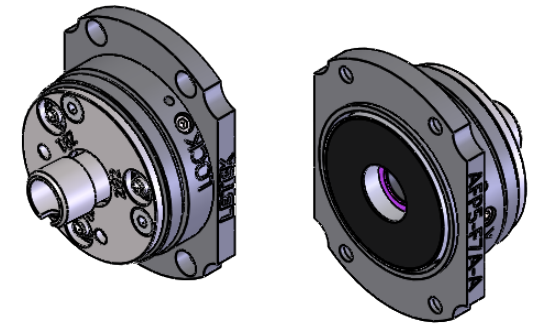
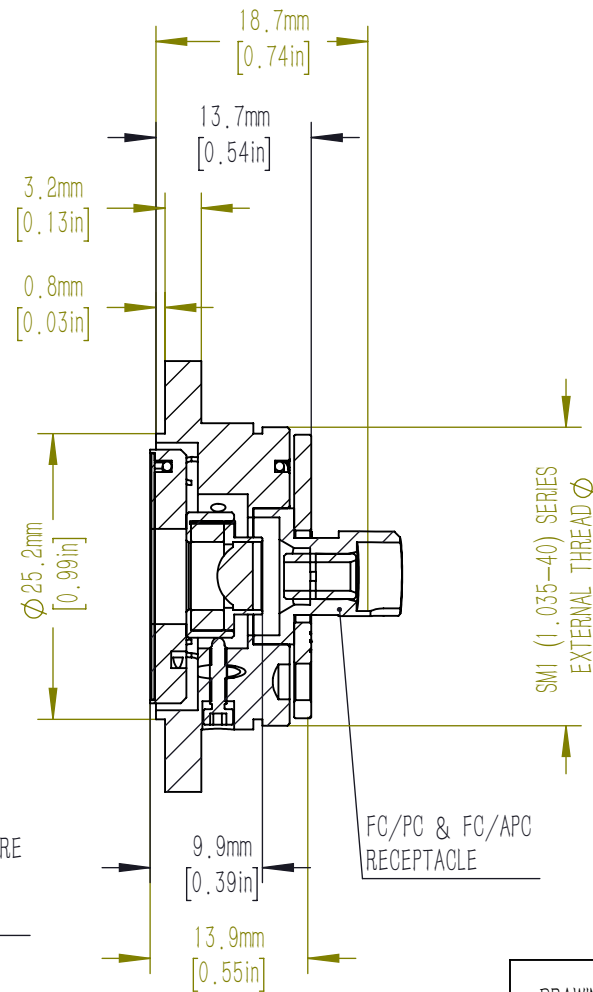
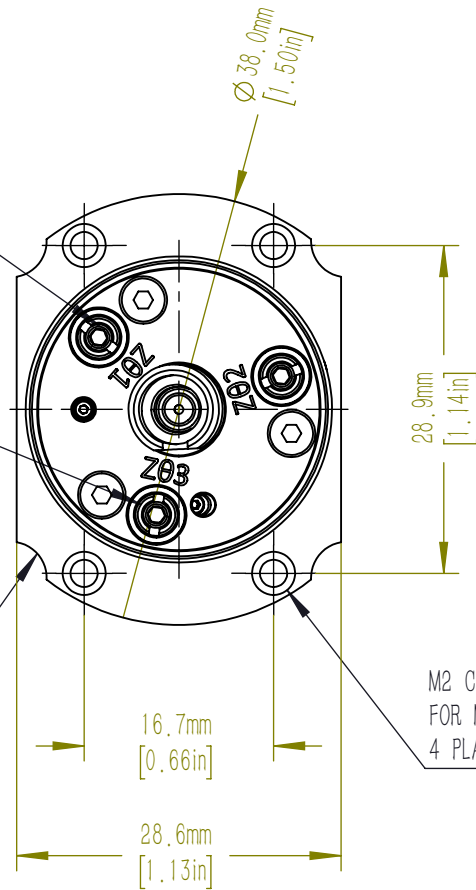


M2X0.25 SCREW
ADJUST TILT PLATE
3 PLACES

M2X0.25 SCREW
LOCKING COLLAR
3 PLACES

R3.2
CLEARANCE FOR
CAGE RODS
4 PLACES



DRAWING PROJECTION			LBTEK			
NAME	DATE	AFP5-F7A-A				
DRAWN	YLIU	SEP./22th/25	5-AXIS FIBER COUPLER			
APPROVAL	WCHENG	SEP./22th/25	MATERIAL	WEIGHT	SCALE	REV
FOR INFORMATION ONLY NOT FOR MANUFACTURING PURPOSES			304 stainless steel	0.05 Kg	3:2	A