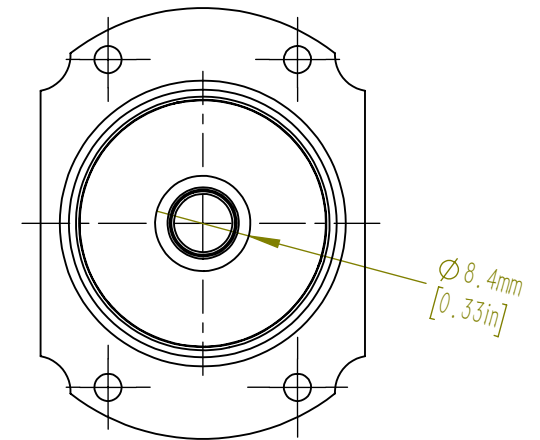
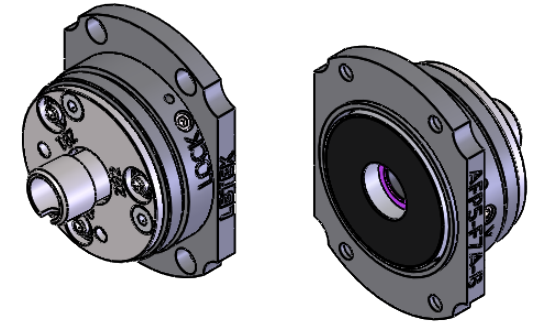
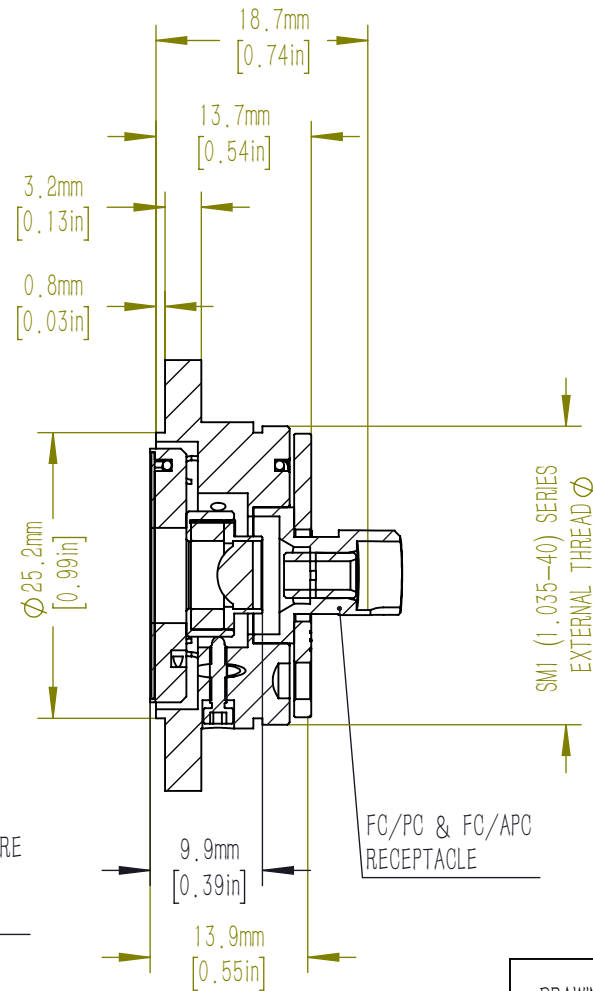
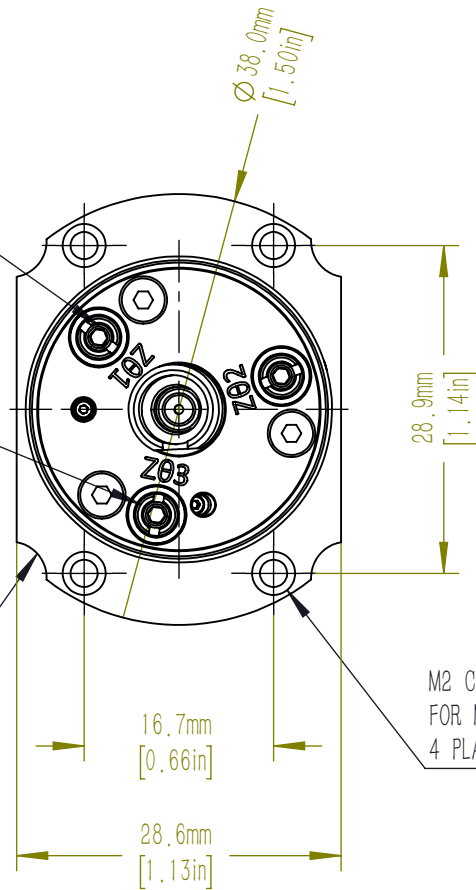


M2X0.25 SCREW  
ADJUST TILT PLATE  
3 PLACES

M2X0.25 SCREW  
LOCKING COLLAR  
3 PLACES

R3.2  
CLEARANCE FOR  
CAGE RODS  
4 PLACES



DRAWING PROJECTION			<b>LBTEK</b>			
NAME	DATE	AFP5-F7A-B				
DRAWN	YLIU	SEP./22th/25	5-AXIS FIBER COUPLER			
APPROVAL	WCHENG	SEP./22th/25	MATERIAL	WEIGHT	SCALE	REV
FOR INFORMATION ONLY NOT FOR MANUFACTURING PURPOSES			304 stainless steel	0.05 Kg	3:2	A