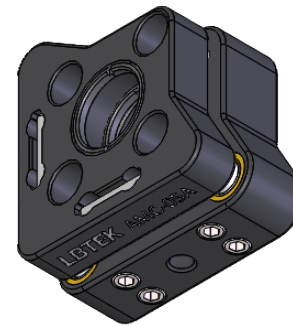
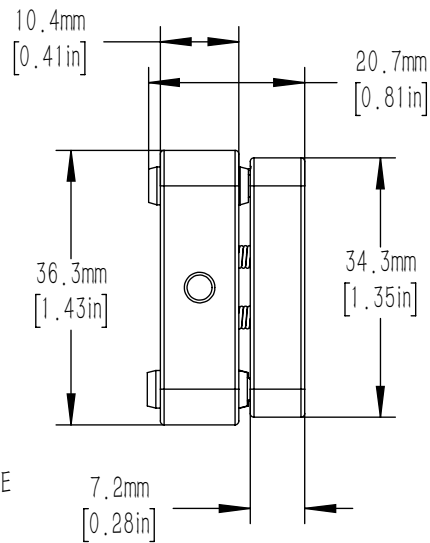
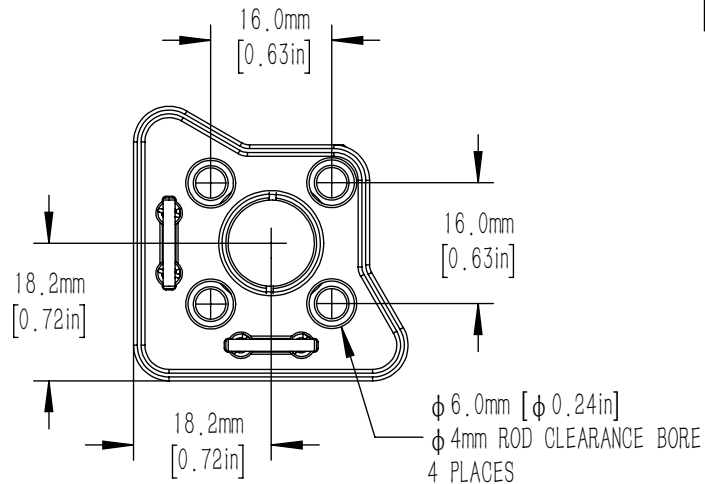
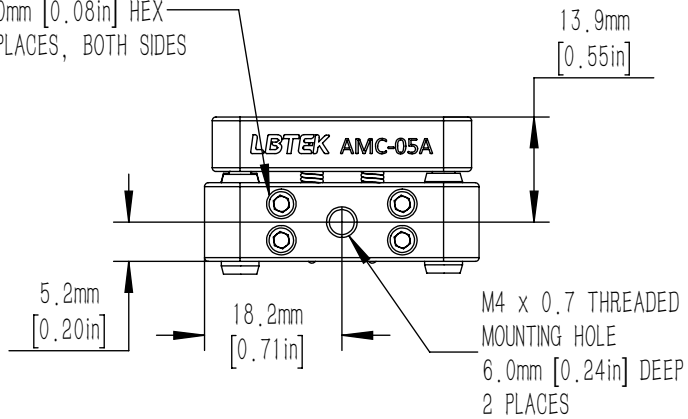
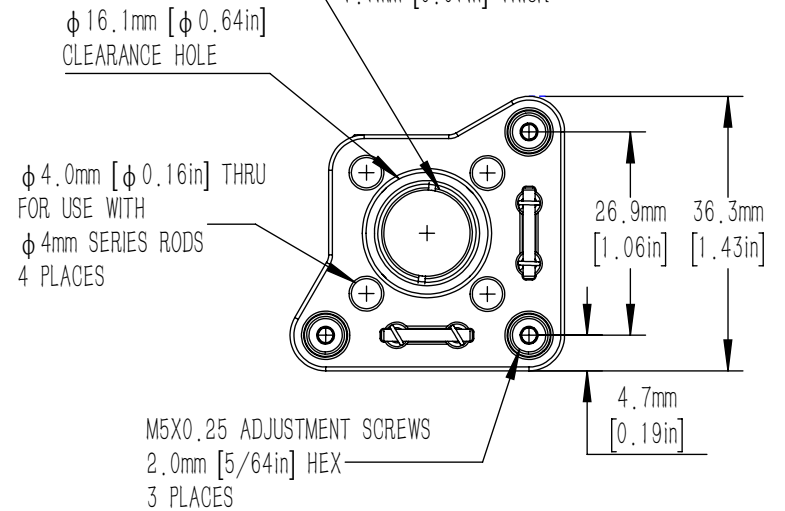


CAGE ROD LOCKING SCREW
2.0mm [0.08in] HEX
4 PLACES, BOTH SIDES



SM05 ($\phi 0.535\text{in}-40$) SERIES INTERNAL THREAD
 $\phi 11.4\text{mm}$ [$\phi 0.45\text{in}$] CLEAR APERTURE
SM05R REMOVABLE RETAINING RINGS (INCLUDED)
1.7mm [0.07in] THICK



DRAWING PROJECTION			LBTEK			
	NAME	DATE	AMC-05A			
DRAWN	HDE	Jul./25th/23	SM05 THREAD KINEMATIC 16.0mm CAGE MOUNT			
APPROVAL	ZXU	Jul./25th/23	MATERIAL	WEIGHT	SCALE	REV
FOR INFORMATION ONLY NOT FOR MANUFACTURING PURPOSES			N/A	0.044 Kg	1:1	B