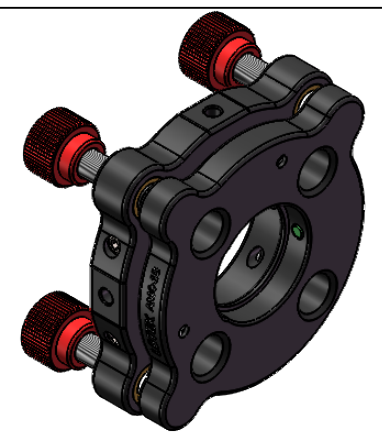
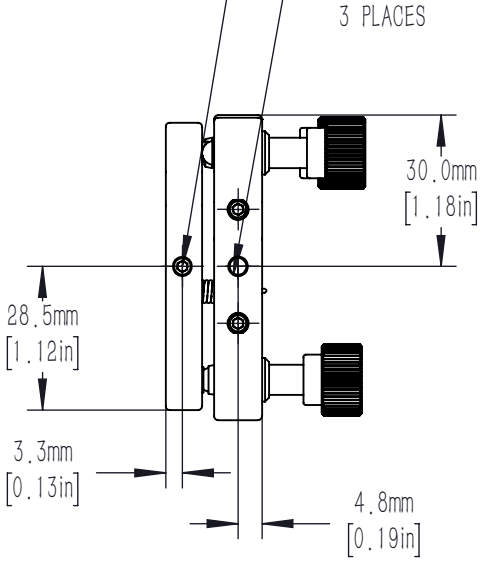


M6X0.25 ADJUSTER SCREWS  
 PROVIDES +/-5° TOTAL ANGULAR DISPLACEMENT  
 (0.32° PER REVOLUTION)  
 AND +/-3mm TOTAL TRANSLATION DISPLACEMENT  
 3 PLACES

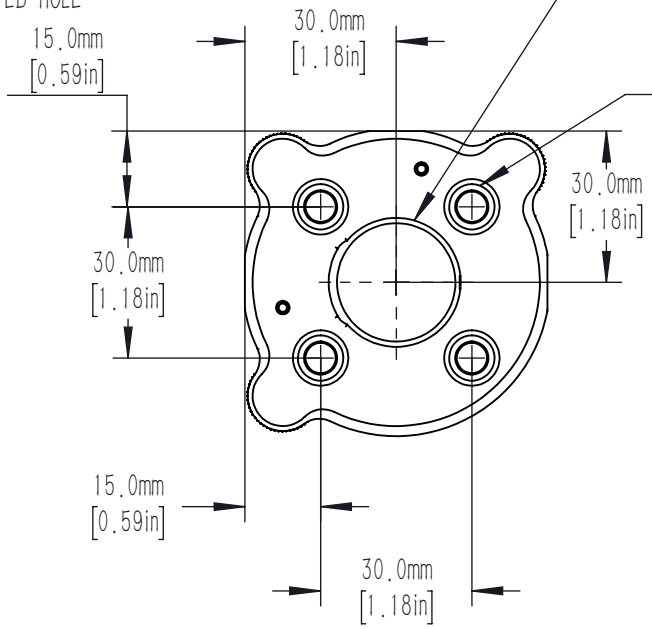


NYLON-TIPPED SET SCREW  
 FOR SECURING OF MOUNTED OPTIC  
 2.0mm [5/64in] HEX

M4X0.7 THROUGH TAPPED HOLE  
 3 PLACES

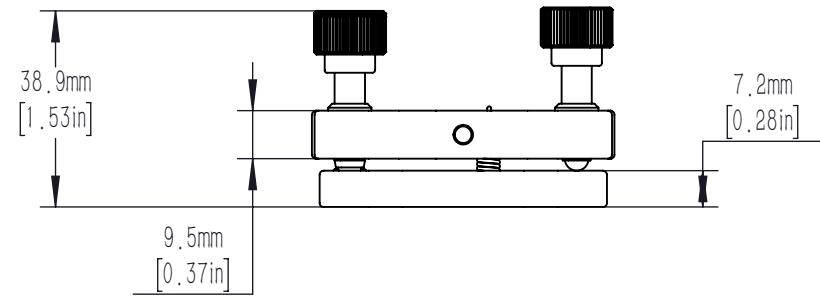
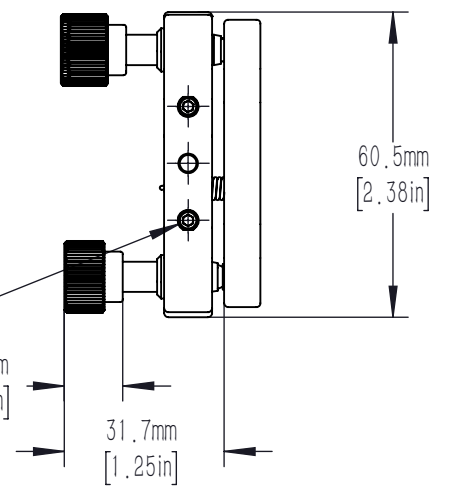


MOUNTING DOUBLE-BORE  
 ACCEPTS  $\phi 25.4\text{mm}$  [ 1.00in] MINIMUM 3.0mm[0.12in] THICK OPTICS  
 5.8mm [0.23in] DEEP  
 CAGE ROD CLEARNACE BORES  $\phi 23.5\text{mm}$  [ 0.92in] CLEAR APERTURE



CAGE ROD CLEARNACE BORES  
 ALLOW FRONT PLATE  
 TO ASSEMBL INTO A CAGE SYSTEM

CAGE RODS LOCKING SET SCREW  
 2.0mm[0.08in]HEX  
 4 PLACES



DRAWING PROJECTION			<b>LBTEK</b>			
NAME	DATE	AMC-1B				
DRAWN	CZH	MAY./30th/23	30mm CAGE MIRROR MOUNT WITH UNTHREADED HOLE FOR $\phi 25.4\text{mm}$ OPTICS			
APPROVAL	ZXU	MAY./30th/23	MATERIAL	WEIGHT	SCALE	REV
FOR INFORMATION ONLY NOT FOR MANUFACTURING PURPOSES			N/A	0.14 Kg	1:1.5	C