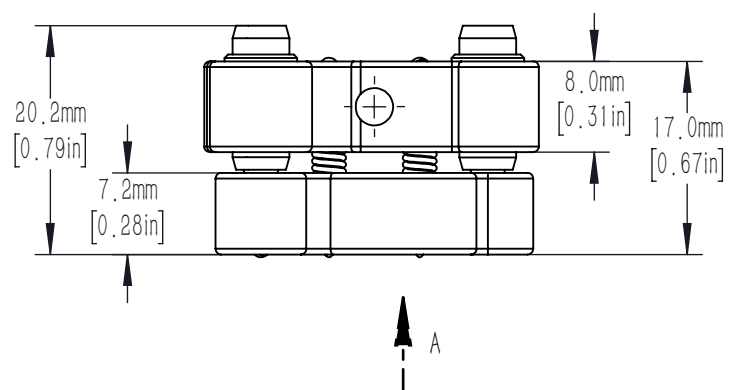
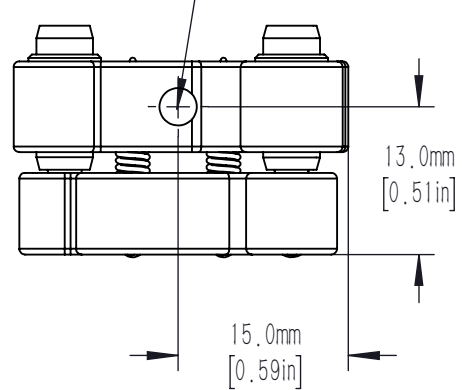
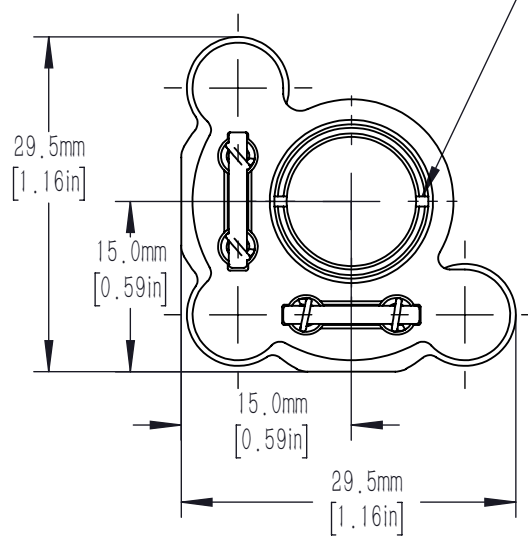


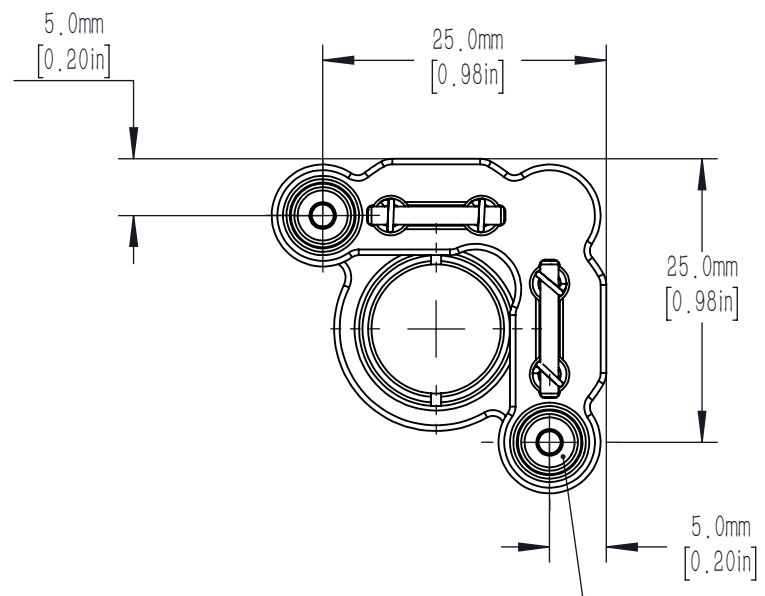
M4X0.7 THROUGH TAPPED HOLE  
2 PLACES



VIEW A



SM05 (0.535in-40) SERIES INTERNAL THREAD  
ACCEPTS  $\phi$ 12.7mm [0.50in] MAXIMUM 3.8mm [0.15in] THICK OPTICS  
2 SM05R RETAINING RINGS INCLUDED  
1.7mm [0.07in] THICK  
 $\phi$ 11.4mm [0.45in] CLEAR APERTURE



M5X0.25 ADJUSTER SCREWS  
PROVIDES +/-4° TOTAL ANGULAR DISPLACEMENT  
(0.72° PER REVOLUTION)  
2 PLACES  
2.0mm [5/64in] HEX

DRAWING PROJECTION			<b>LBTEK</b>			
NAME	DATE	AMM-05A				
DRAWN	CZH	AUG./7th/23	MIRROR MOUNT WITH SM05 THREADED FOR $\phi$ 12.7mm OPTICS			
APPROVAL	ZXU	AUG./7th/23	MATERIAL	WEIGHT	SCALE	REV
FOR INFORMATION ONLY NOT FOR MANUFACTURING PURPOSES			N/A	0.013 Kg	1.5:1	C