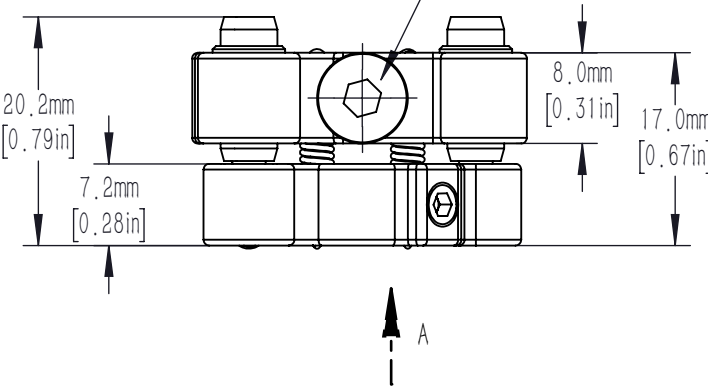
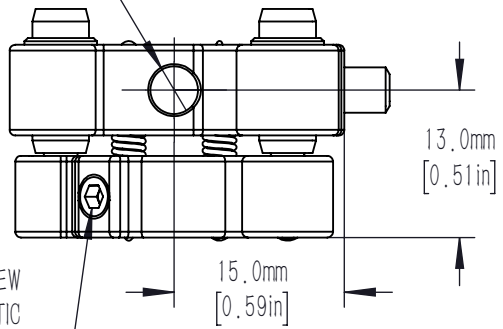
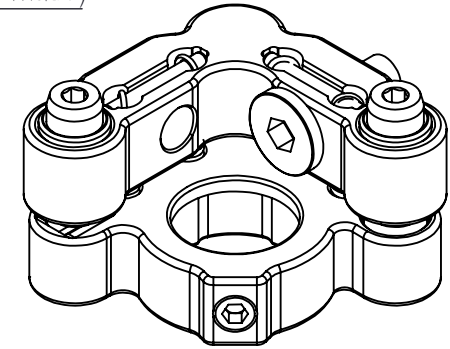


Ø 4.2mm THRO HOLE
[0.17in]
2 PLACES

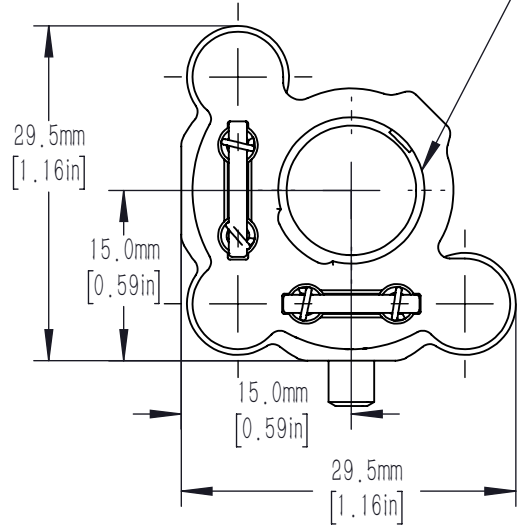
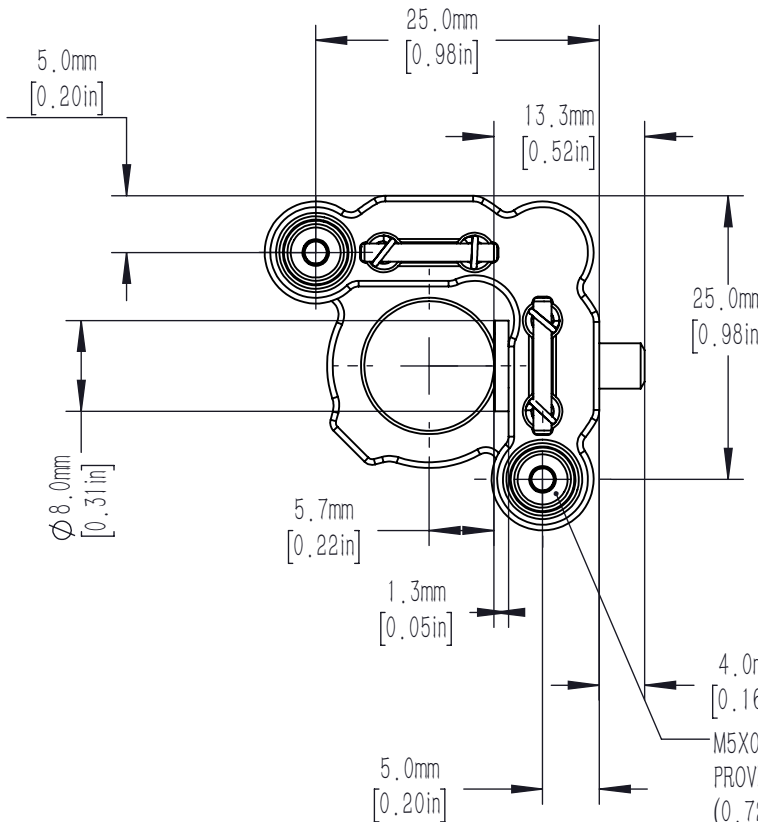
THIN HEAD SCREW
M4x12 ONE PIECE(INCLUDE, SEPARATELY PACKED)

NYLON-TIPPED SET SCREW
FOR SECURING OF MOUNTED OPTIC
2.0mm [5/64in] HEX



VIEW A

MOUNTING DOUBLE-BORE
ACCEPTS Ø 12.7mm [0.50in] MINIMUM 2.0mm [0.08in] THICK OPTICS
5.7mm [0.22in] DEEP
Ø 11.4mm [0.45in] CLEAR APERTURE



M5X0.25 ADJUSTER SCREWS
PROVIDES +/-4° TOTAL ANGULAR DISPLACEMENT
(0.72° PER REVOLUTION)
2 PLACES
2.0mm [5/64in] HEX

DRAWING PROJECTION			LBTEK			
	NAME	DATE				
DRAWN	CZH	AUG./9th/23	MIRROR MOUNT WITH UNTHREADED HOLE FOR Ø 12.7mm OPTICS			
APPROVAL	ZXU	AUG./9th/23	MATERIAL	WEIGHT	SCALE	REV
FOR INFORMATION ONLY NOT FOR MANUFACTURING PURPOSES			N/A	0.017 Kg	1.5:1	C