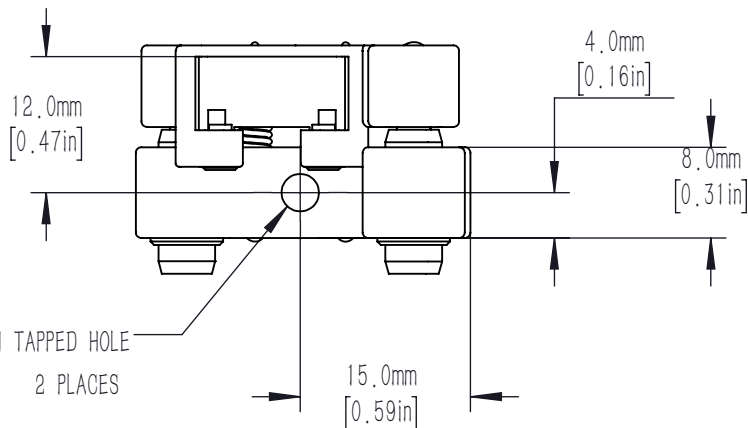
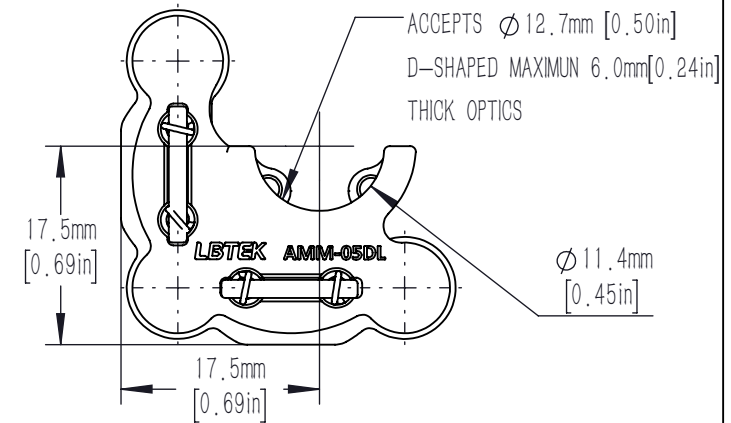
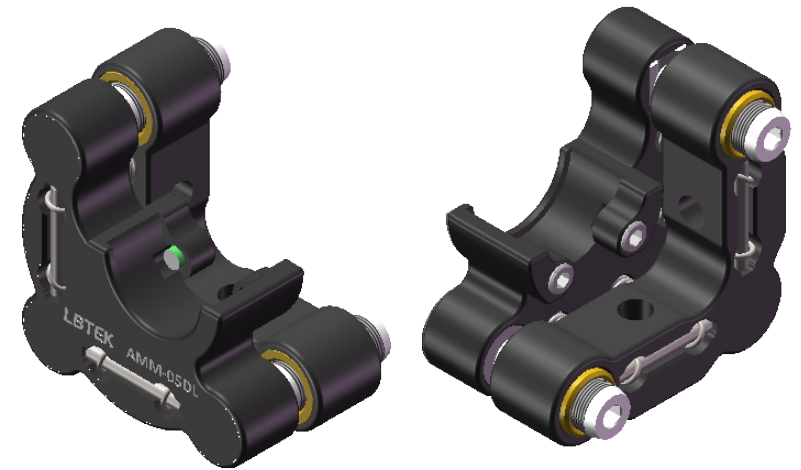
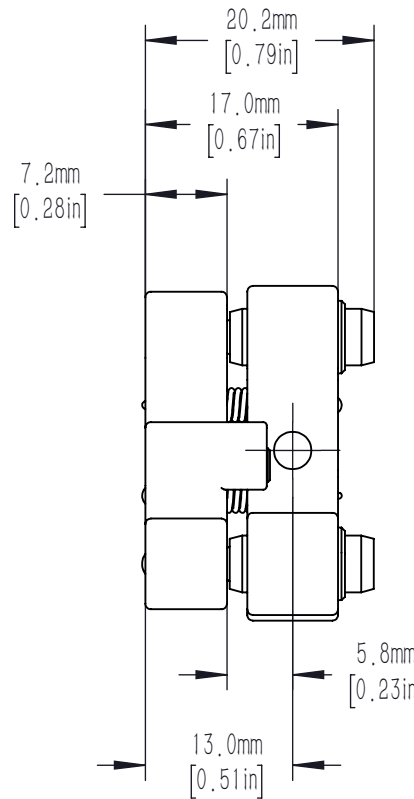
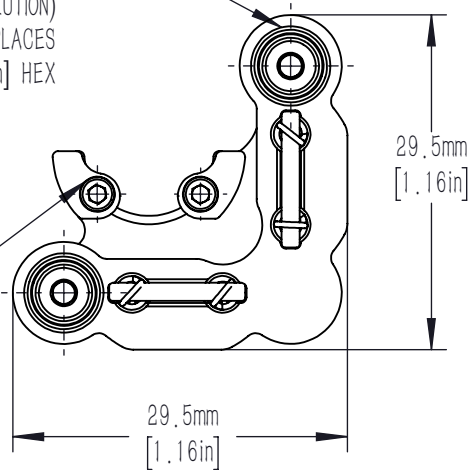


M5X0.25 ADJUSTER SCREWS
 PROVIDES +/-4° TOTAL ANGULAR DISPLACEMENT
 (0.72° PER REVOLUTION)
 2 PLACES
 2.0mm [5/64in] HEX

POM-TIPPED SET SCREW
 FOR SECURING OF MOUNTED OPTIC
 1.5mm HEX



DRAWING PROJECTION			LBTEK			
	NAME	DATE				
DRAWN	YCH	NOV./30th/19	MIRROR MOUNT WITH UNTHREADED HOLE FOR ϕ 12.7mm D-SHAPED OPTICS, LEFT-HANDED CONFIGURATION			
APPROVAL	ZHE	NOV./30th/19	MATERIAL	WEIGHT	SCALE	REV
FOR INFORMATION ONLY NOT FOR MANUFACTURING PURPOSES			N/A	0.02 Kg	1.5:1	B