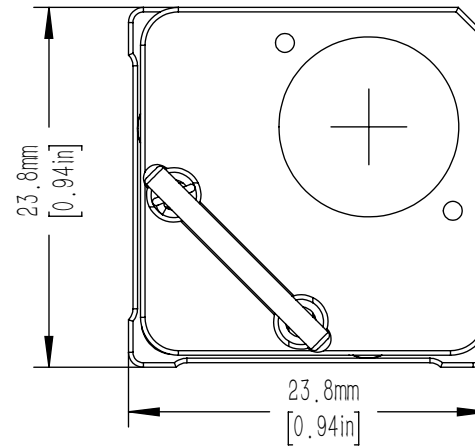
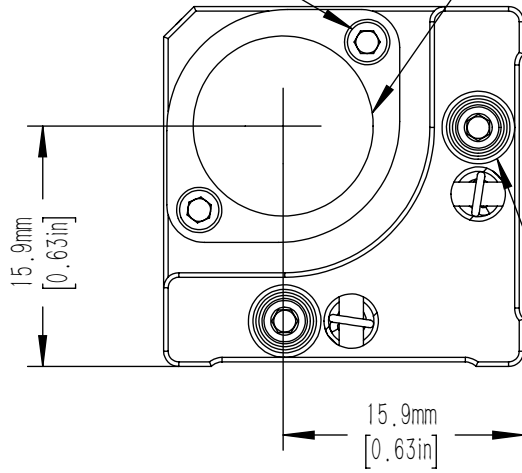


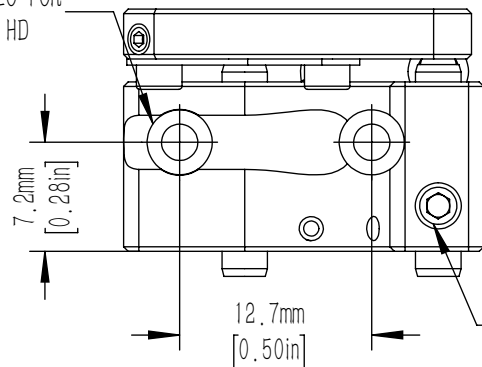
2X M1.6
FOR OPTIC RETAINER
0.5in ALLEN

ACCEPTS ϕ 12.7mm [ϕ 0.5in] MINIMUM 1.5mm [0.06in] THICK OPTICS
2.6mm [0.10in] DEEP
 ϕ 11.9mm [ϕ 0.47in] CLEAR APERTURE



4X CBOREO FOR
M2 SOC HD

M3X0.25 ADJUSTER SCREWS
PROVIDES $\pm 4^\circ$ TOTAL ANGULAR DISPLACEMENT
(1.12° PER REVOLUTION)
2 PLACES
1.5mm [1/64IN] HEX



2X ACTUATOR LOCK
1.5.0mm [1/64IN] HEX

DRAWING PROJECTION			LBTEK			
	NAME	DATE				
DRAWN	HDE	Oct./31th/23	0.5 INCH MICRO ADJUSTMENT RACK			
APPROVAL	ZXU	Oct./31th/23	MATERIAL	WEIGHT	SCALE	REV
FOR INFORMATION ONLY NOT FOR MANUFACTURING PURPOSES			N/A	0.013 Kg	2:1	B