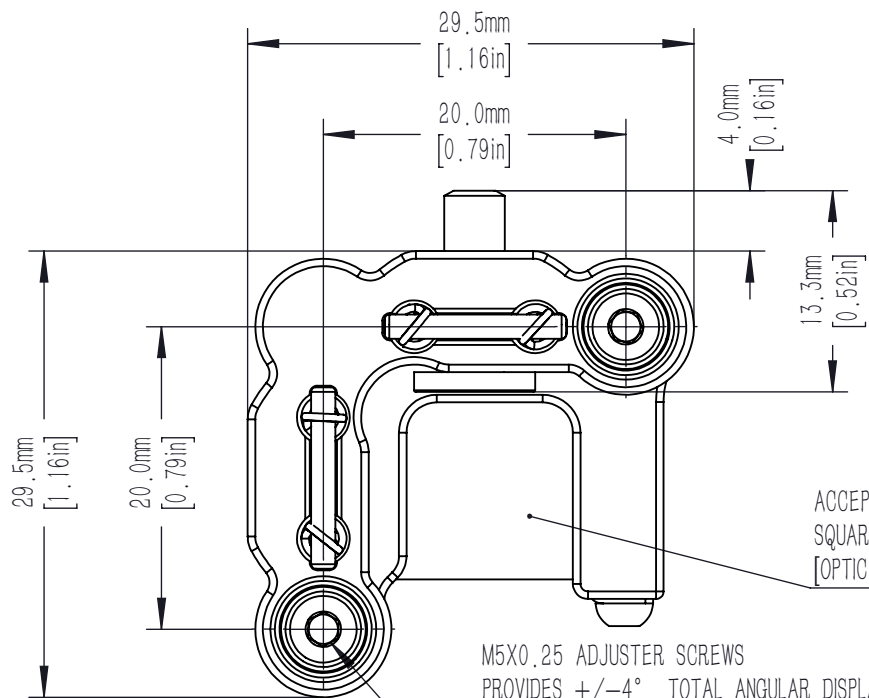
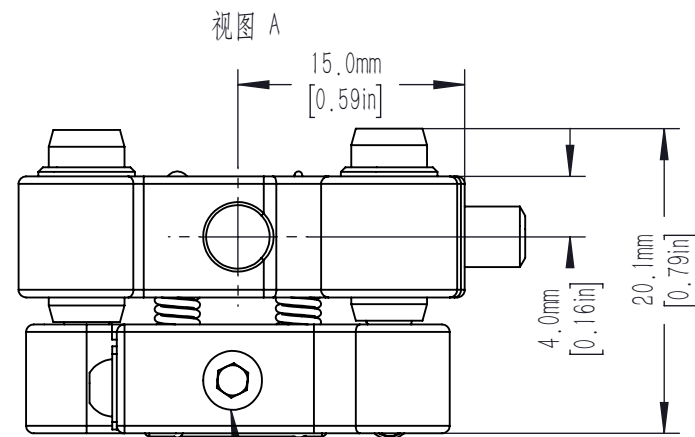
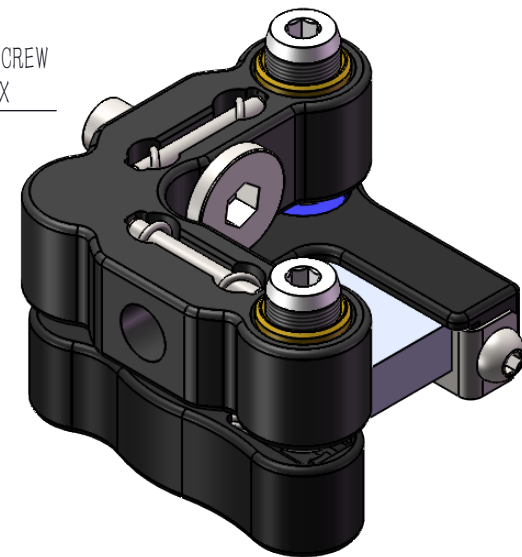


MOUNTING SCREWS  
FOR BENDING AND PRESSING  
Don't OPEN IT.



ACCEPTS 0.5in [12.7mm] TALL  
SQUARE OPTICS  
[OPTIC NOT INCLUDED]

M5X0.25 ADJUSTER SCREWS  
PROVIDES +/-4° TOTAL ANGULAR DISPLACEMENT  
(0.72° PER REVOLUTION)  
2 PLACES  
2.0mm [5/64in] HEX



DRAWING PROJECTION			<b>LBTEK</b>			
NAME	DATE					
			AMM-05SR-SP			
DRAWN	CZH	FEB./25th/21	MIRROR MOUNT FOR 0.5in[12.7mm] SQUARE OPTICS LEFT-HANDED CONFIGURATION			
APPROVAL	YCH	FEB./25th/21	MATERIAL	WEIGHT	SCALE	REV
FOR INFORMATION ONLY NOT FOR MANUFACTURING PURPOSES			N/A	0.03 Kg	2:1	B