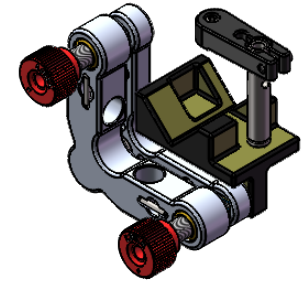
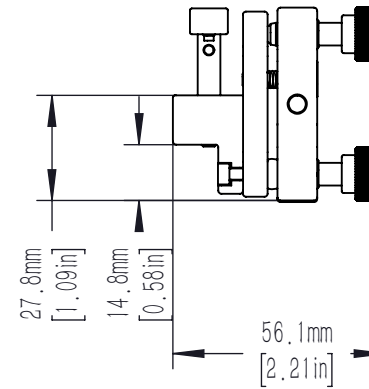
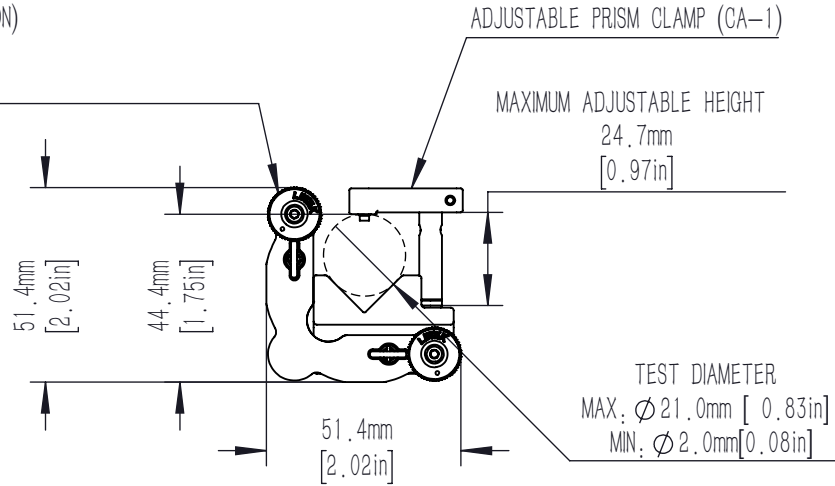
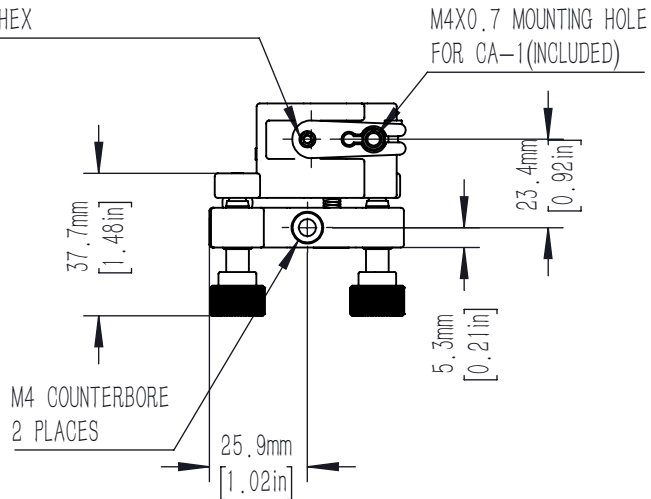


M6X0.25 ADJUSTER SCREWS
 PROVIDES +/-4° TOTAL ANGULAR DISPLACEMENT
 (0.4° PER REVOLUTION)
 2 PLACES
 2.0mm [5/64in] HEX



M4 x 0.7 NYLON TIPPED SETSCREW
 FOR SECURING CYLINDRICAL OBJECT
 2.0mm HEX



DRAWING PROJECTION							
	NAME	DATE	AMM-1V				
DRAWN	CZH	SEPT./4th/23	V-SHAPED MOUNTING BRACKET				
APPROVAL	ZXU	SEPT./4th/23	MATERIAL	WEIGHT	SCALE	REV	
FOR INFORMATION ONLY NOT FOR MANUFACTURING PURPOSES			N/A	0.100 Kg	1:2	C	