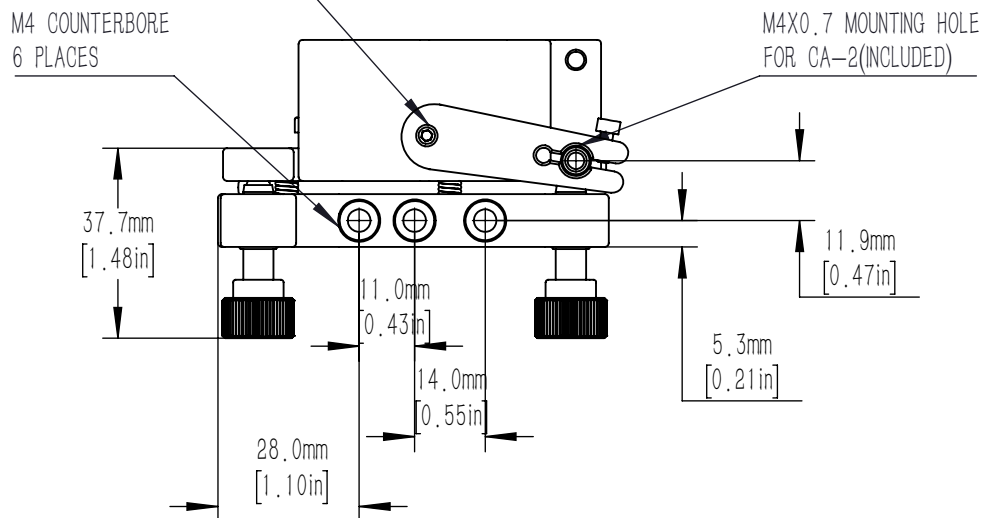


M4 x 0.7 NYLON TIPPED SETSCREW
FOR SECURING CYLINDRICAL OBJECT
2.0mm HEX

M6X0.25 ADJUSTER SCREWS
PROVIDES +/-4° TOTAL ANGULAR DISPLACEMENT
(0.4° PER REVOLUTION)
2 PLACES
2.0mm [5/64in] HEX



DRAWING PROJECTION			LBTEK			
NAME	DATE	AMM-2V				
DRAWN	SSO	OCT./9th/22	V-SHAPED ADJUSTMENT BRACKET FOR MOUNTING CYLINDRICAL OPTICAL OR MECHANICAL ELEMENT			
APPROVAL	ZXU	OCT./9th/22	MATERIAL	WEIGHT	SCALE	REV
FOR INFORMATION ONLY NOT FOR MANUFACTURING PURPOSES			N/A	0.13 Kg	2.3	B