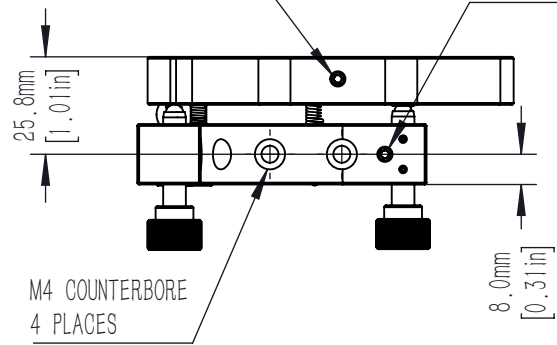
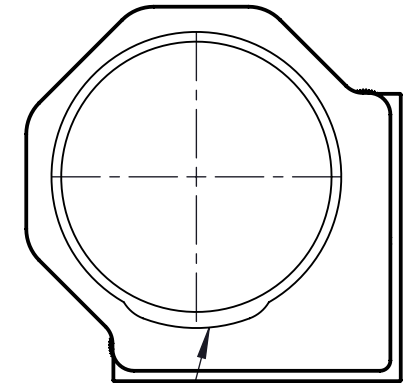
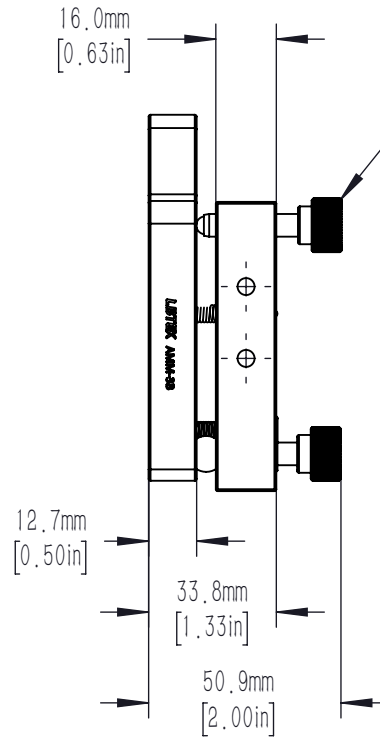
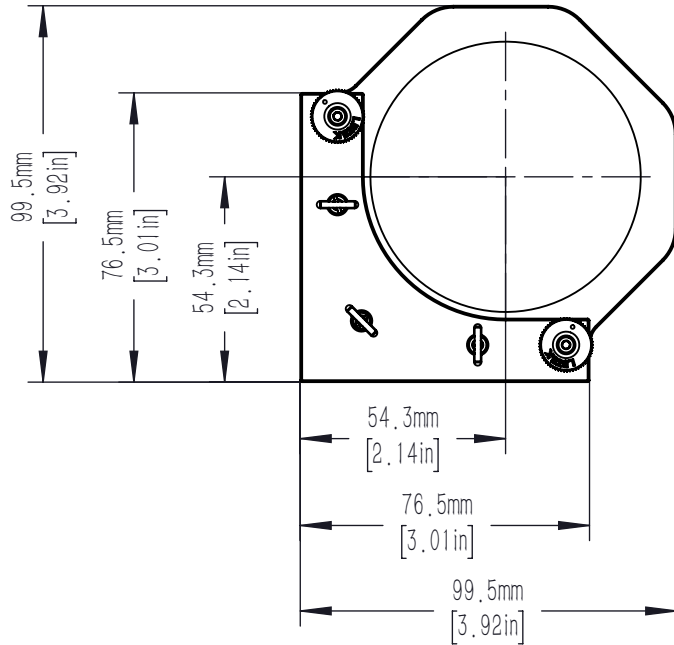
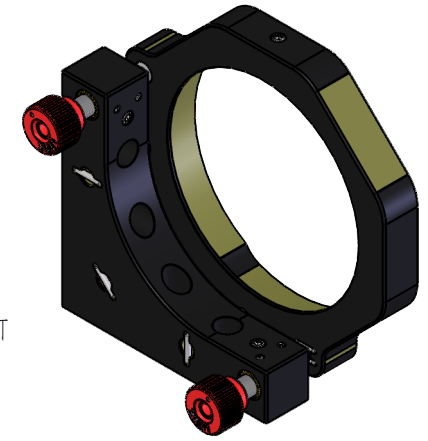


M4 x 0.7 POM-TIPPED SET SCREW
FOR SECURING OF MOUNTED OPTIC
2.0mm [5/64in] HEX

ADJUSTER LOCKING SCREW
2.0mm [5/64in] HEX
2 PLACES



M6 x 0.25 ADJUSTER SCREWS
PROVIDES +/-4° TOTAL ANGULAR DISPLACEMENT
(0.23° PER REVOLUTION)
2 PLACES
2.0mm [5/64 in] HEX



DOUBLE BORE HOLE PROVIDES
2 LINE CONTACT FOR ϕ 76.2mm [3.00in] OPTICS

DRAWING PROJECTION			LBTEK			
	NAME	DATE				
DRAWN	GWE	AUG./15th/25	MIRROR MOUNT WITH UNTHREAD FOR ϕ 76.2mm OPTICS			
APPROVAL	YLI	AUG./15th/25	MATERIAL	WEIGHT	SCALE	REV
FOR INFORMATION ONLY NOT FOR MANUFACTURING PURPOSES			N/A	0.239 Kg	1:2	AM