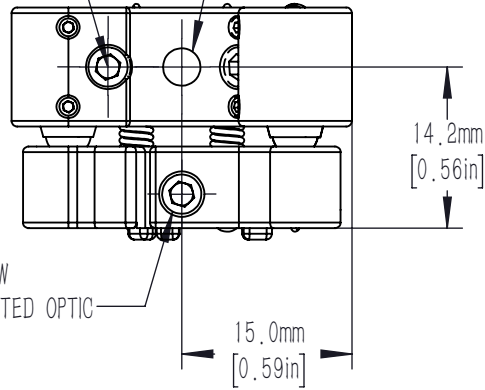
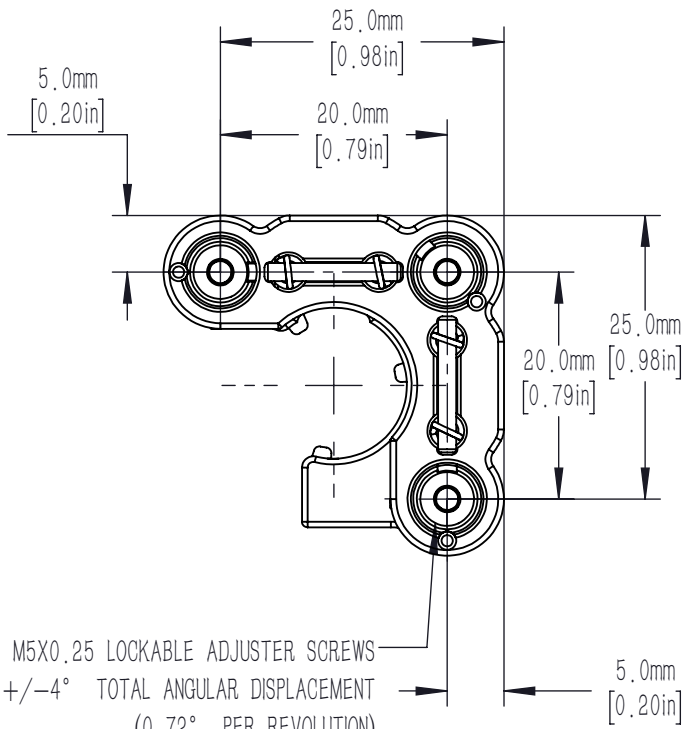
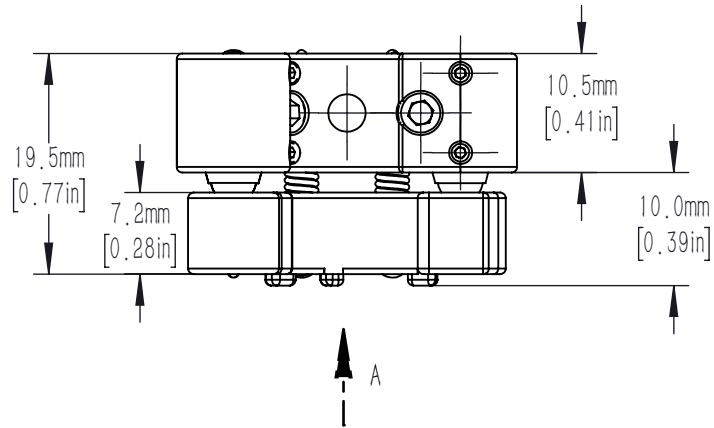


ADJUSTER LOCKING SCREW
2.0mm [5/64in] HEX
3 PLACES

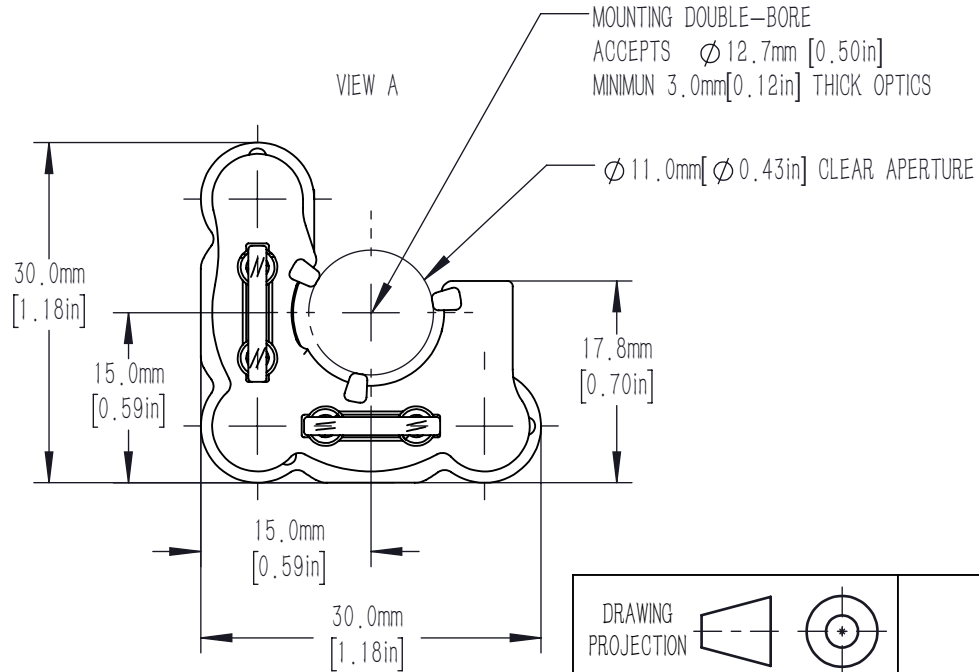
M4X0.7 THROUGH TAPPED HOLE
2 PLACES



POM-TIPPED SET SCREW
FOR SECURING OF MOUNTED OPTIC
2.0mm [5/64in] HEX



VIEW A



M5X0.25 LOCKABLE ADJUSTER SCREWS
PROVIDES $\pm 4^\circ$ TOTAL ANGULAR DISPLACEMENT
(0.72° PER REVOLUTION)
3 PLACES
2.0mm [5/64in] HEX

5.0mm [0.20in]

DRAWING PROJECTION			LBTEK			
	NAME	DATE				
DRAWN	YCH	JUL./23th/20	MIRROR MOUNT WITH UNTHREADED HOLE FOR $\phi 12.7\text{mm}$ OPTICS CLEAR EDGE			
APPROVAL	ZHE	JUL./23th/20	MATERIAL	WEIGHT	SCALE	REV
FOR INFORMATION ONLY NOT FOR MANUFACTURING PURPOSES			N/A	0.02 Kg	1.5:1	B