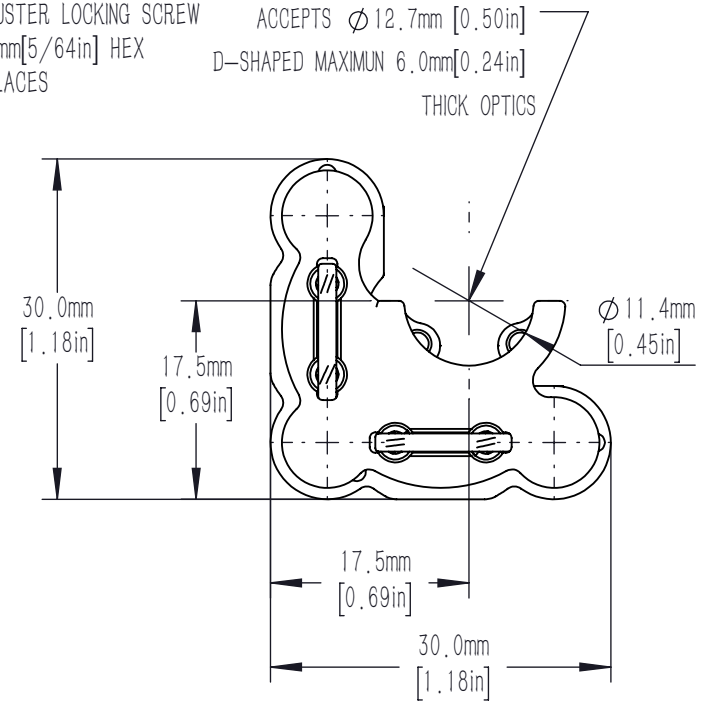
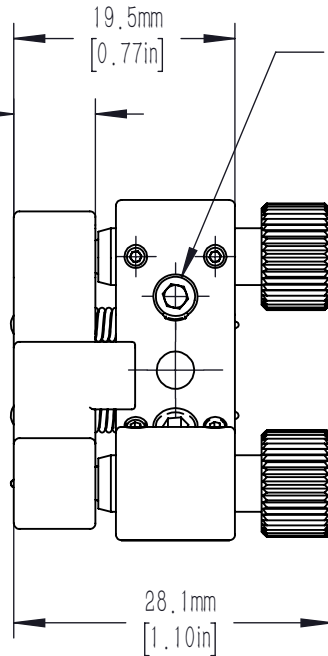
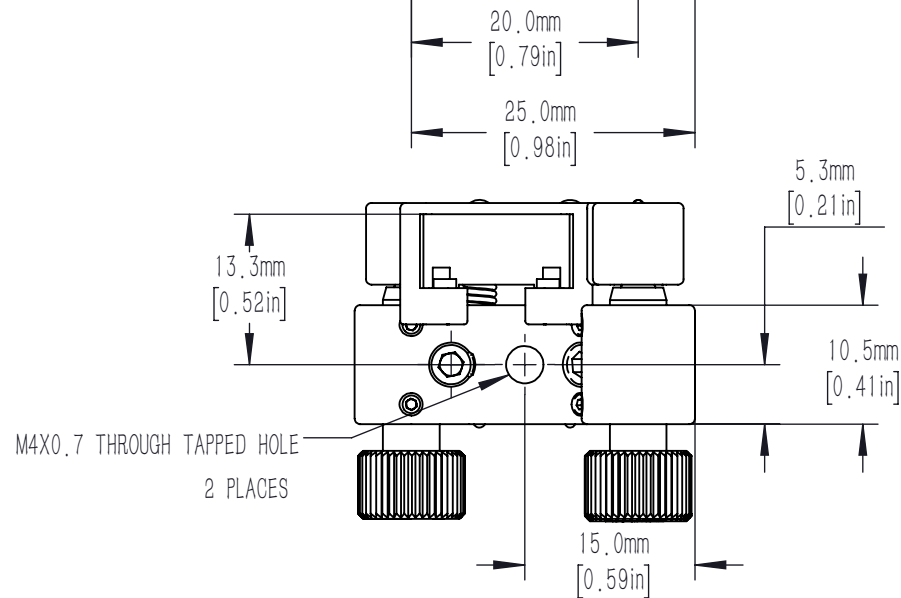


M5X0.25 LOCKABLE ADJUSTER SCREWS  
 PROVIDES +/-4° TOTAL ANGULAR DISPLACEMENT  
 (0.72° PER REVOLUTION)  
 3 PLACES  
 2.0mm [5/64in] HEX

POM-TIPPED SET SCREW  
 FOR SECURING OF MOUNTED OPTIC  
 1.5mm HEX



M4X0.7 THROUGH TAPPED HOLE  
 2 PLACES

|  |      |              |  |         |       |     |
|--|------|--------------|--|---------|-------|-----|
| DRAWING PROJECTION                                     |      |              | <b>LBTEK</b>   |         |       |     |
|  |      |              |  |         |       |     |
|  | NAME | DATE         | AMM3-05DL  |         |       |     |
| DRAWN  | YCH  | NOV./30th/19 | MIRROR MOUNT WITH UNTHREADED HOLE FOR $\phi$ 12.7mm D-SHAPED OPTICS, LEFT-HANDED CONFIGURATION |         |       |     |
| APPROVAL   | ZHE  | NOV./30th/19 | MATERIAL   | WEIGHT  | SCALE | REV |
| FOR INFORMATION ONLY<br>NOT FOR MANUFACTURING PURPOSES |      |              | N/A  | 0.03 Kg | 1.5:1 | B   |