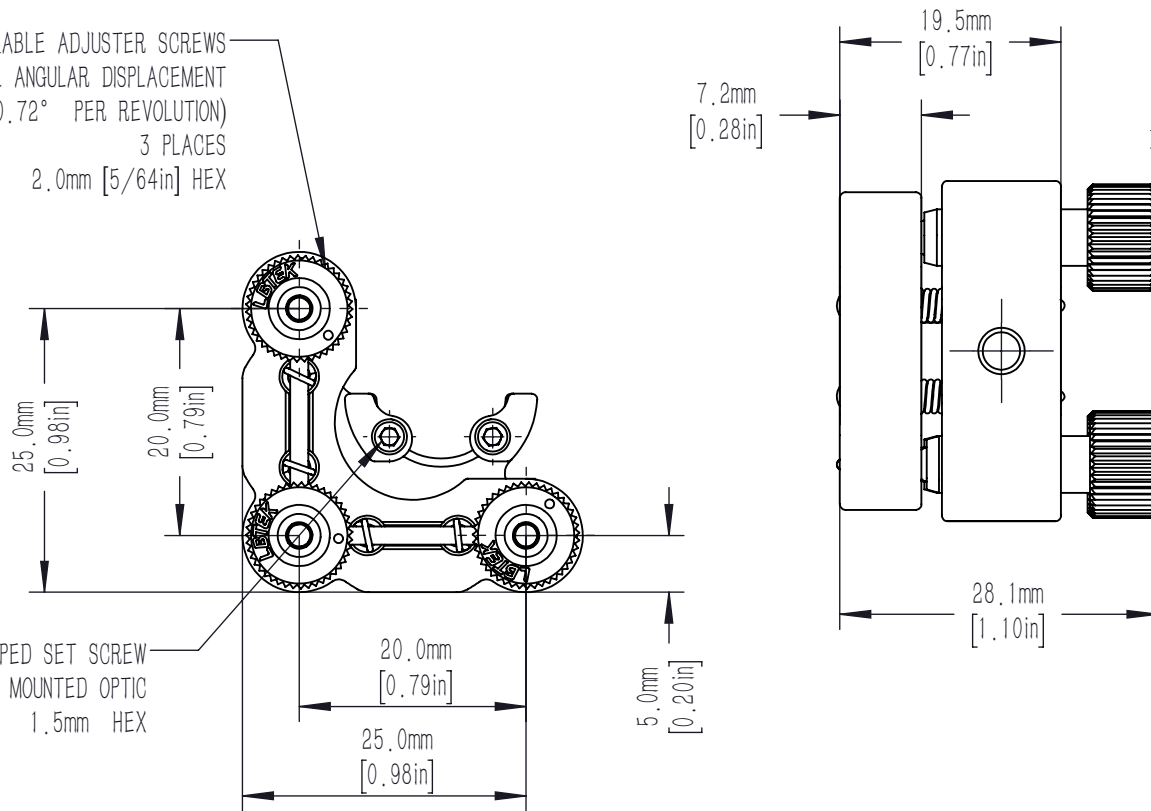


M5X0.25 LOCKABLE ADJUSTER SCREWS
 PROVIDES +/-4° TOTAL ANGULAR DISPLACEMENT
 (0.72° PER REVOLUTION)
 3 PLACES
 2.0mm [5/64in] HEX

POM-TIPPED SET SCREW
 FOR SECURING OF MOUNTED OPTIC
 1.5mm HEX

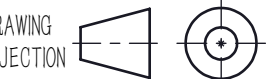
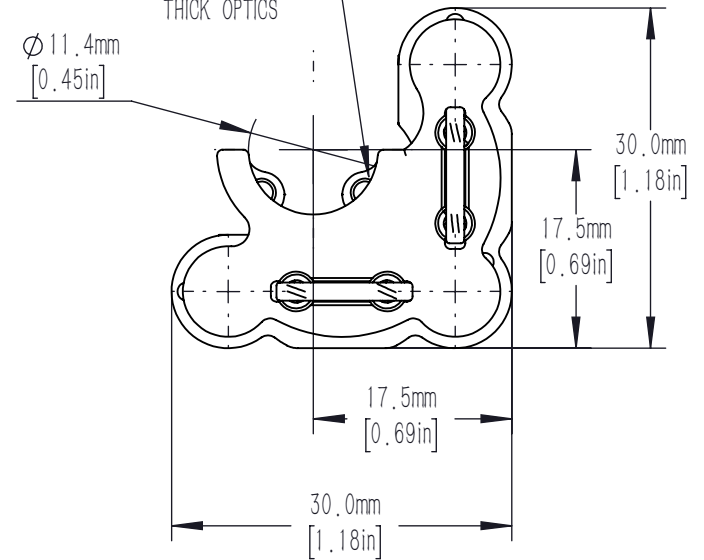
ADJUSTER LOCKING SCREW
 2.0mm [5/64in] HEX
 3 PLACES

M4X0.7 THROUGH TAPPED HOLE
 2 PLACES



ACCEPTS Ø 12.7mm [0.50in]
 D-SHAPED MAXIMUM 6.0mm [0.24in]
 THICK OPTICS

Ø 11.4mm
 [0.45in]



LBTEK

	NAME	DATE	AMM3-05DR			
DRAWN	YCH	NOV./30th/19	MIRROR MOUNT WITH UNTHREADED HOLE FOR Ø 12.7mm D-SHAPED OPTICS, LIGHT-HANDED CONFIGURATION			
APPROVAL	ZHE	NOV./30th/19	MATERIAL	WEIGHT	SCALE	REV
FOR INFORMATION ONLY NOT FOR MANUFACTURING PURPOSES			N/A	0.03 Kg	1.5:1	B