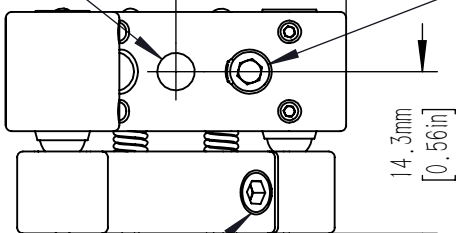


M4X0.7 THROUGH TAPPED HOLE
2 PLACES

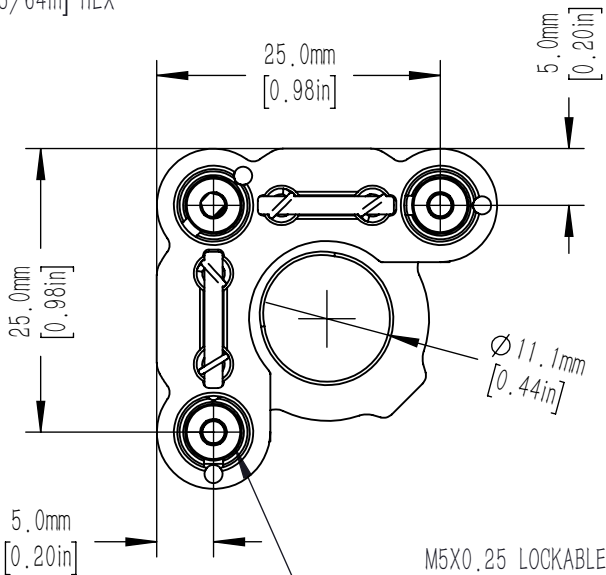
15.0mm
[0.59in]

ADJUSTER LOCKING SCREW
2.0mm[5/64in] HEX
3 PLACES



14.3mm
[0.56in]

POM-TIPPED SET SCREW
FOR SECURING OF MOUNTED OPTIC
2.0mm [5/64in] HEX



25.0mm
[0.98in]

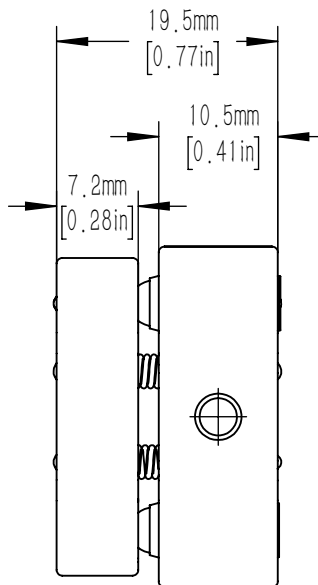
5.0mm
[0.20in]

25.0mm
[0.98in]

Ø 11.1mm
[0.44in]

5.0mm
[0.20in]

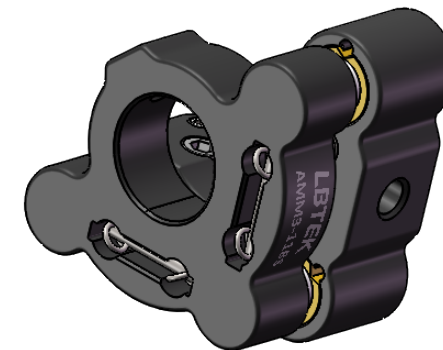
M5X0.25 LOCKABLE ADJUSTER SCREWS
PROVIDES $\pm 4^\circ$ TOTAL ANGULAR DISPLACEMENT
(0.72° PER REVOLUTION)
3 PLACES
2.0mm [5/64in] HEX



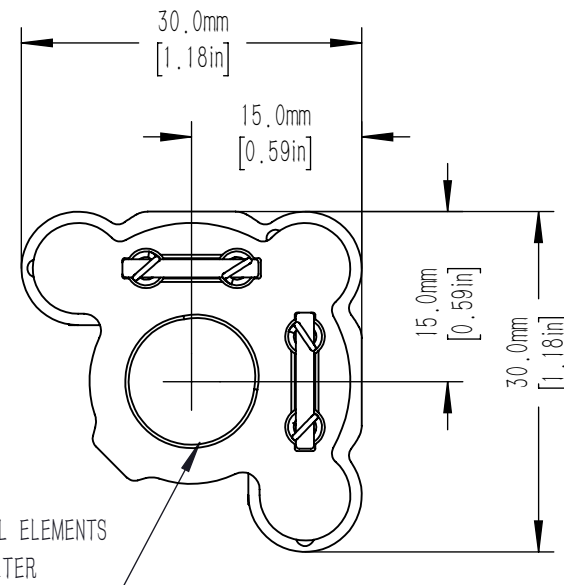
19.5mm
[0.77in]

10.5mm
[0.41in]

7.2mm
[0.28in]



FOR CYINDRICAL ELEMENTS
11 MM INDIAMETER



30.0mm
[1.18in]

15.0mm
[0.59in]

15.0mm
[0.59in]

30.0mm
[1.18in]

DRAWING PROJECTION			LBTEK			
	NAME	DATE				
DRAWN	SSO	MAY./25th/23	ADJUSTABLE COLLIMATOR MOUNT			
APPROVAL	ZXU	MAY./25th/23	MATERIAL	WEIGHT	SCALE	REV
FOR INFORMATION ONLY NOT FOR MANUFACTURING PURPOSES			N/A	0.03 Kg	1.5:1	B