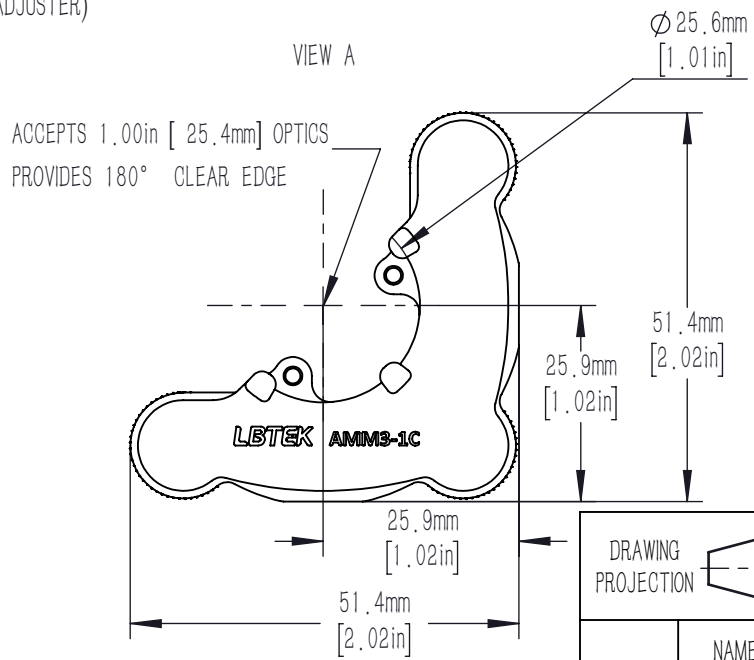
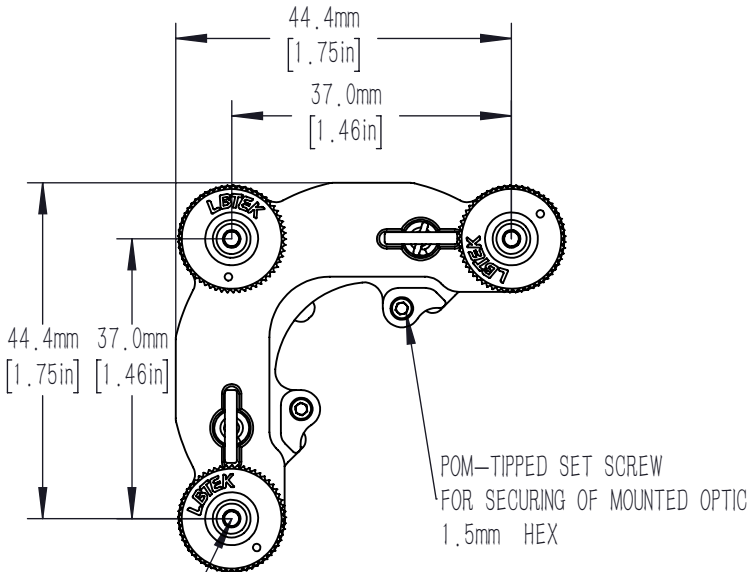
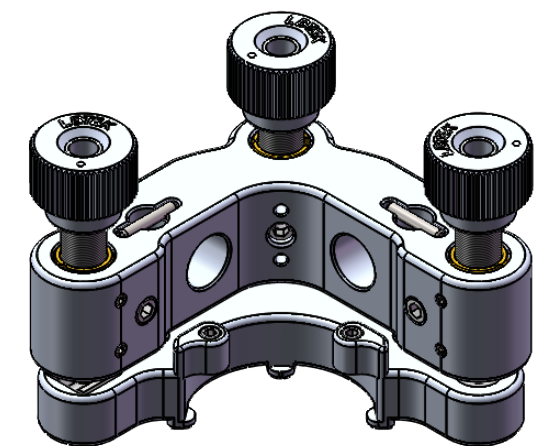


PRETENSION SCREWS TO MINIMIZE
BEAM SHIFT WHEN LOCKED
6 PLACES (2 PER ADJUSTER)



M6X0.25 LOCKABLE ADJUSTER SCREWS
PROVIDES +/-4° TOTAL ANGULAR DISPLACEMENT
(0.4° PER REVOLUTION)
3 PLACES
2.0mm [5/64in] HEX

DRAWING PROJECTION			LBTEK			
	NAME	DATE				
DRAWN	CZH	SEPT./3rd/23	MIRROR MOUNT WITH UNTHREADED HOLE FOR Ø 25.4mm OPTICS CLEAR EDGE			
APPROVAL	ZXU	SEPT./3rd/23	MATERIAL	WEIGHT	SCALE	REV
FOR INFORMATION ONLY NOT FOR MANUFACTURING PURPOSES			N/A	0.099 Kg	1:1	C