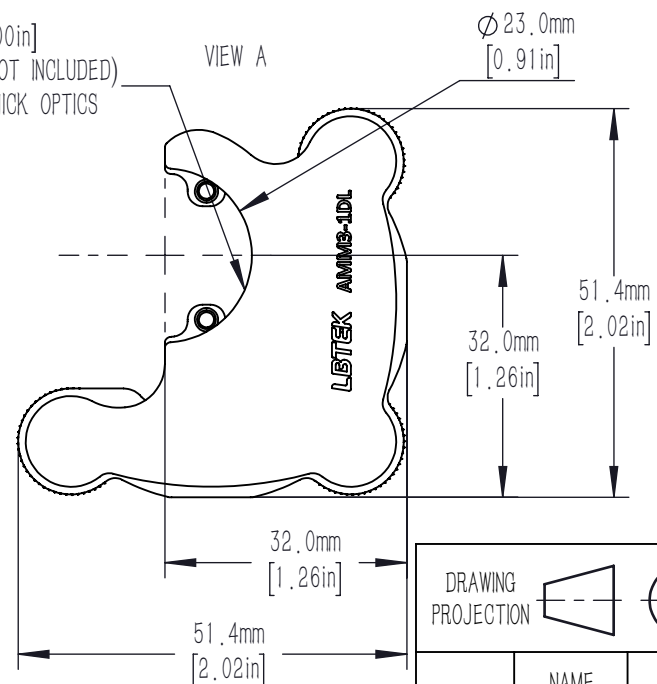


ACCEPTS  $\varnothing 25.4\text{mm}$  [1.00in]  
D-SHAPED OPTICS(OPTICS NOT INCLUDED)  
MAXIMUM 6.0mm[0.24in] THICK OPTICS



DRAWING PROJECTION			<b>LBTEK</b>			
	NAME	DATE	AMM3-1DL			
DRAWN	CZH	SEPT./3rd/23	MIRROR MOUNT WITH UNTHREADED HOLE FOR $\varnothing 25.4\text{mm}$ D-SHAPED OPTICS, LEFT-HANDED CONFIGURATION			
APPROVAL	ZXU	SEPT./3rd/23	MATERIAL	WEIGHT	SCALE	REV
FOR INFORMATION ONLY NOT FOR MANUFACTURING PURPOSES			N/A	0.107 Kg	1:1	C