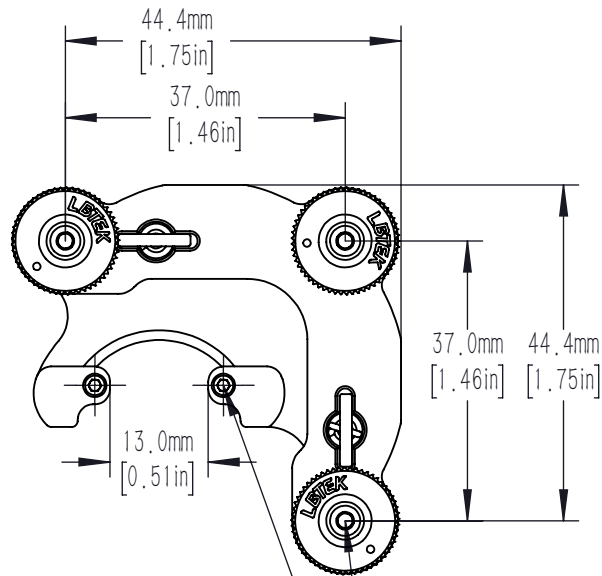
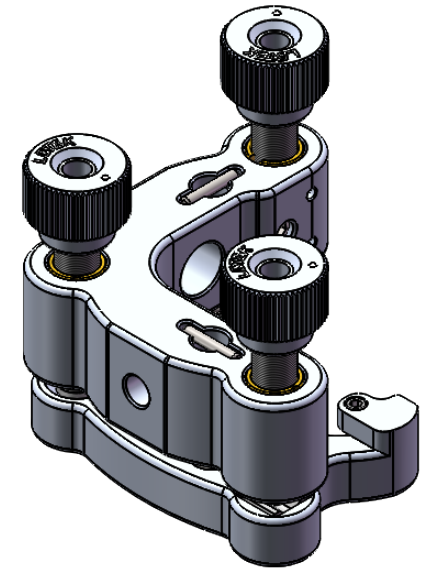
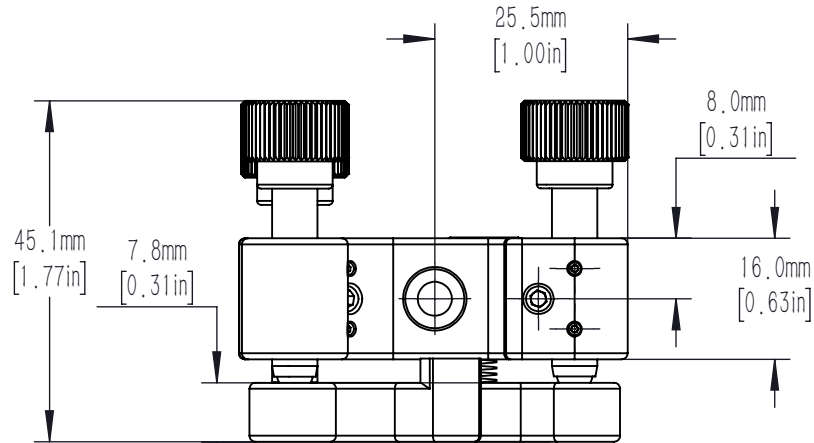
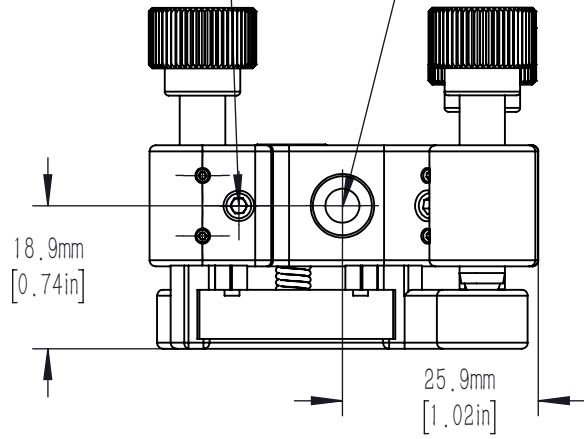


ADJUSTER LOCKING SCREW
2.0mm [5/64in] HEX
3 PLACES

M4 COUNTERBORE
2 PLACES

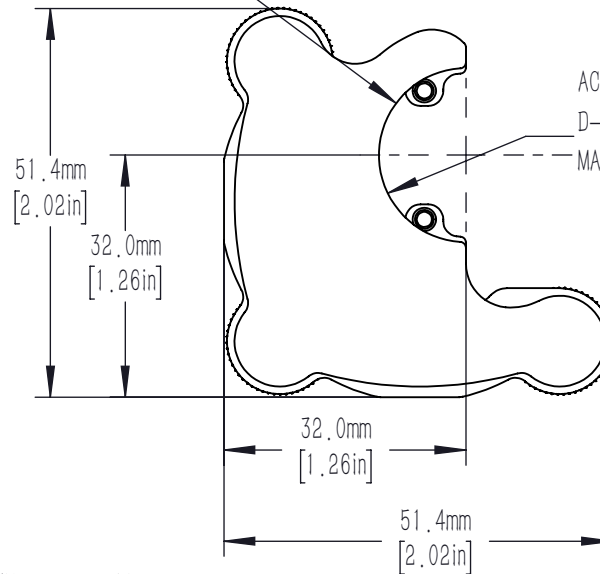


POM-TIPPED SET SCREW
FOR SECURING OF MOUNTED OPTIC
1.5mm HEX

M6X0.25 LOCKABLE ADJUSTER SCREWS
PROVIDES +/-4° TOTAL ANGULAR DISPLACEMENT
(0.4° PER REVOLUTION)
3 PLACES
2.0mm [5/64in] HEX

Ø 23.0mm [0.91in]

VIEW A



ACCEPTS Ø 25.4mm [1.00in]
D-SHAPED OPTICS (OPTICS NOT INCLUDED)
MAXIMUM 6.0mm [0.24in] THICK OPTICS

DRAWING PROJECTION			LBTEK			
	NAME	DATE				
DRAWN	CZH	SEPT./3rd/23	MIRROR MOUNT WITH UNTHREADED HOLE FOR Ø 25.4mm D-SHAPED OPTICS, RIGHT-HANDED CONFIGURATION			
APPROVAL	ZXU	SEPT./3rd/23	MATERIAL	WEIGHT	SCALE	REV
FOR INFORMATION ONLY NOT FOR MANUFACTURING PURPOSES			N/A	0.068 Kg	1:1	C