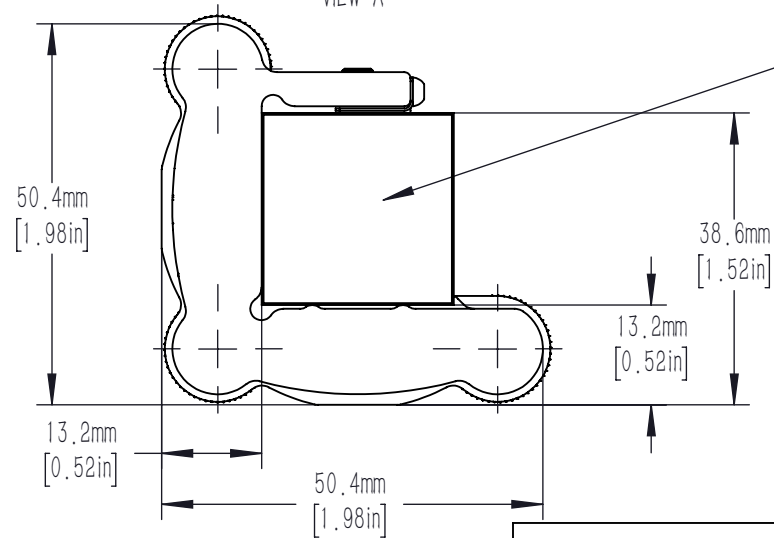


M6X0.25 LOCKABLE ADJUSTER SCREWS
PROVIDES +/-4° TOTAL ANGULAR DISPLACEMENT
(0.4° PER REVOLUTION)
3 PLACES
2.0mm [5/64in] HEX

VIEW A



DRAWING PROJECTION			LBTEK			
	NAME	DATE				
DRAWN	NEWT	SEPT. /2nd/23	MIRROR MOUNT FOR 1.00in[25.4mm] SQUARE OPTICS LEFT-HANDED CONFIGURATION			
APPROVAL	YCH	SEPT. /2nd/23	MATERIAL	WEIGHT	SCALE	REV
FOR INFORMATION ONLY NOT FOR MANUFACTURING PURPOSES			N/A	0.142 Kg	1:1	C