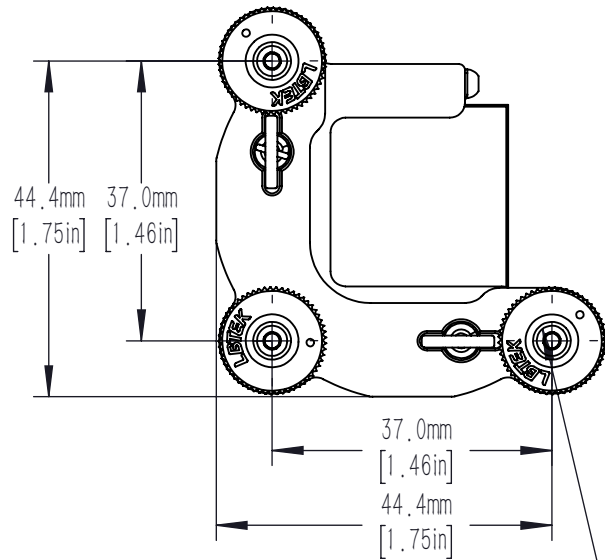
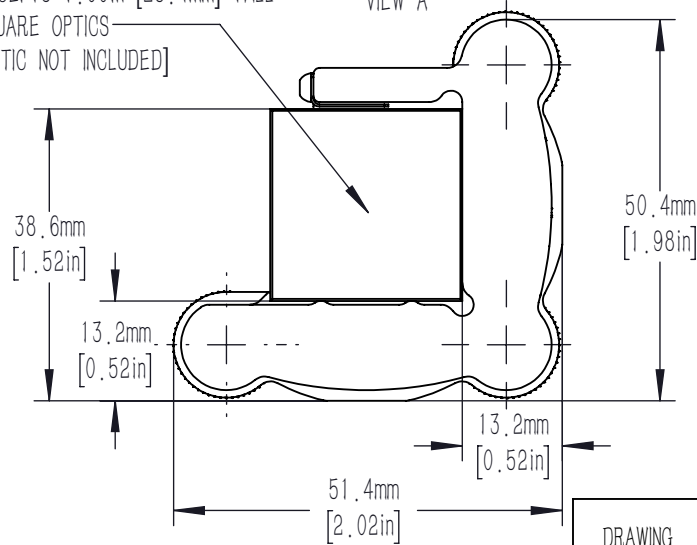


MOUNTING SCREWS  
FOR BENDING AND PRESSING  
Don't OPEN IT.

ACCEPTS 1.00in [25.4mm] TALL  
SQUARE OPTICS  
[OPTIC NOT INCLUDED]

VIEW A



M6X0.25 LOCKABLE ADJUSTER SCREWS  
PROVIDES +/-4° TOTAL ANGULAR DISPLACEMENT  
(0.4° PER REVOLUTION)  
3 PLACES  
2.0mm [5/64in] HEX

DRAWING PROJECTION			<b>LBTEK</b>			
	NAME	DATE				
DRAWN	CZH	SEPT./3rd/23	MIRROR MOUNT FOR 1.00in[25.4mm] SQUARE OPTICS RIGHT HAND CONFIGURATION			
APPROVAL	ZXU	SEPT./3rd/23	MATERIAL	WEIGHT	SCALE	REV
FOR INFORMATION ONLY NOT FOR MANUFACTURING PURPOSES			N/A	0.142 Kg	1:1	C