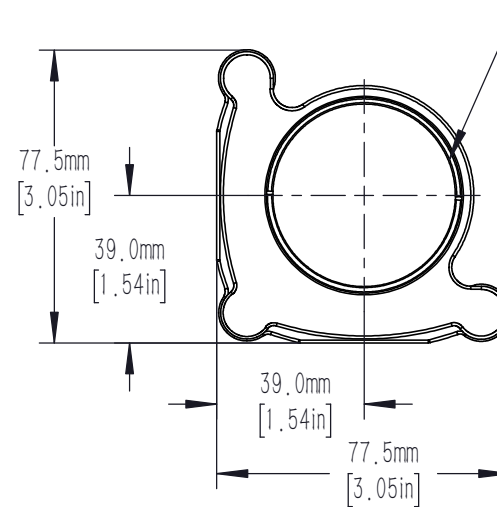


VIEW A



SM2 (2.035in-40) SERIES INTERNAL THREAD  
ACCEPTS  $\phi$  50.8mm [2.00in] MAXIMUM 5.2mm [0.20in] THICK OPTICS  
2 SM2R RETAINING RINGS INCLUDED 2.5mm [0.1in] THICK  
 $\phi$  48.3mm [1.90in] CLEAR APERTURE

M6X0.25 ADJUSTER SCREWS  
PROVIDES  $\pm 4^\circ$  TOTAL ANGULAR DISPLACEMENT  
(0.23° PER REVOLUTION)  
3 PLACES  
2.0mm [5/64in] HEX

DRAWING PROJECTION			<b>LBTEK</b>			
	NAME	DATE				
DRAWN	NEWT	APR./7th/20	MIRROR MOUNT WITH SM2 THREADED FOR $\phi$ 50.8mm OPTICS			
APPROVAL	YCH	APR./7th/20	MATERIAL	WEIGHT	SCALE	REV
FOR INFORMATION ONLY NOT FOR MANUFACTURING PURPOSES			N/A	0.17 Kg	1:2	B