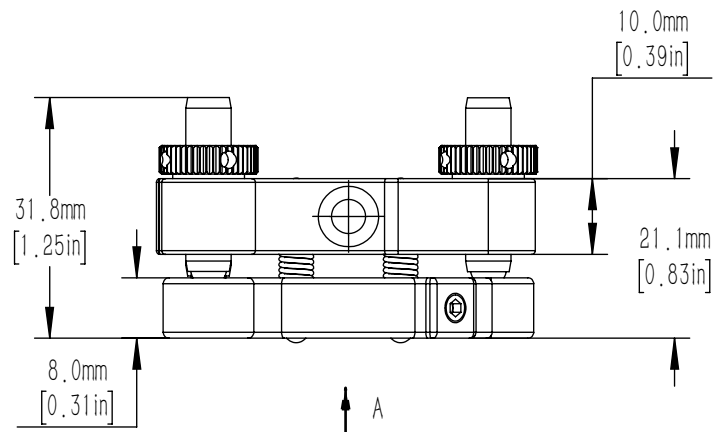
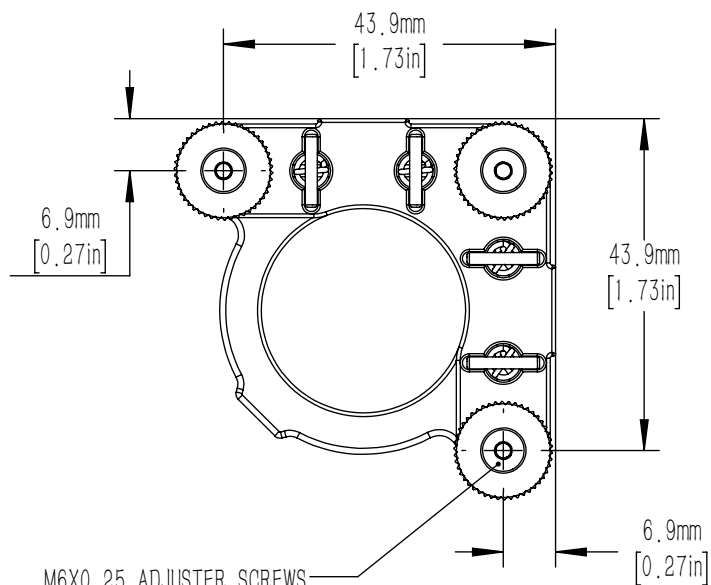


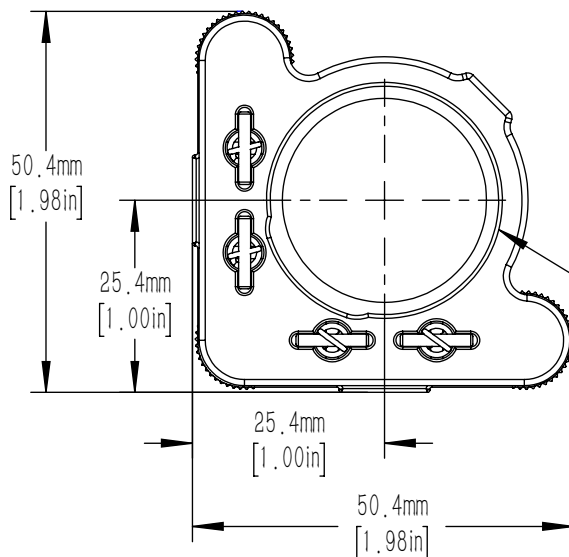
POM-TIPPED SET SCREW  
FOR SECURING OF MOUNTED OPTIC  
2.0mm [5/64in] HEX



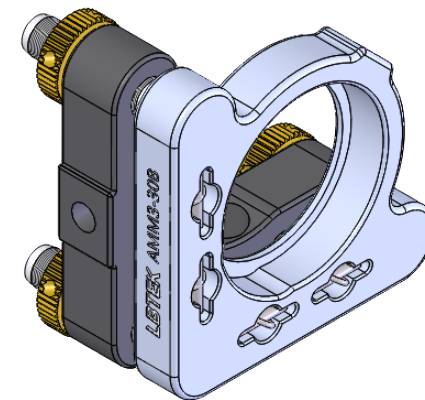
视图 A



M6X0.25 ADJUSTER SCREWS  
PROVIDES  $\pm 4^\circ$  TOTAL ANGULAR DISPLACEMENT  
( $0.4^\circ$  PER REVOLUTION)  
WITH LOCK NUTS  
3 PLACES  
2.0mm [5/64in] HEX



MOUNTING DOUBLE-BORE  
ACCEPTS  $\phi 30.0\text{mm}$  [ $\phi 1.18\text{in}$ ] MINIMUM 3.0mm [0.12in] THICK OPTICS  
6.5mm [0.26in] DEEP  
 $\phi 27.0\text{mm}$  [ $\phi 1.06\text{in}$ ] CLEAR APERTURE



|  |      |              |  |  |          |       |     |
|--|------|--------------|--|--|----------|-------|-----|
| DRAWING PROJECTION                                     |      |              |  |  |          |       |     |
|  | NAME | DATE         |  |  |          |       |     |
| DRAWN  | HDE  | Sep. /2nd/22 |  | MIRROR MOUNT WITH UNTHREADED HOLE FOR<br>$\phi 30.0\text{mm}$ OPTICS |          |       |     |
| APPROVAL   | ZXU  | Sep. /2nd/22 |  | MATERIAL   | WEIGHT   | SCALE | REV |
| FOR INFORMATION ONLY<br>NOT FOR MANUFACTURING PURPOSES |      |              |  | ALUMINUM   | 0.073 Kg | 1:1   | B   |