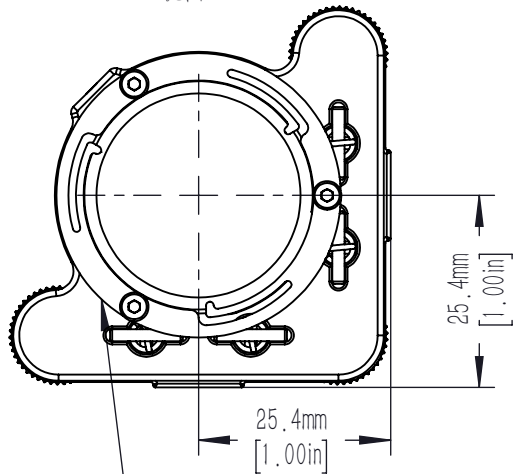
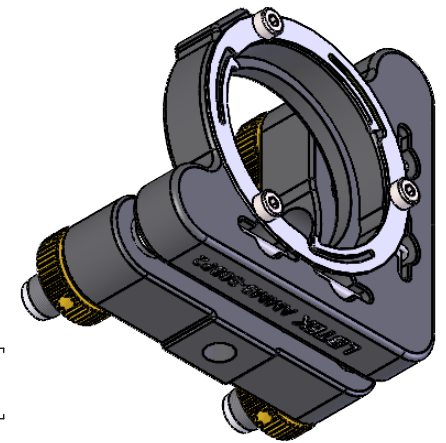
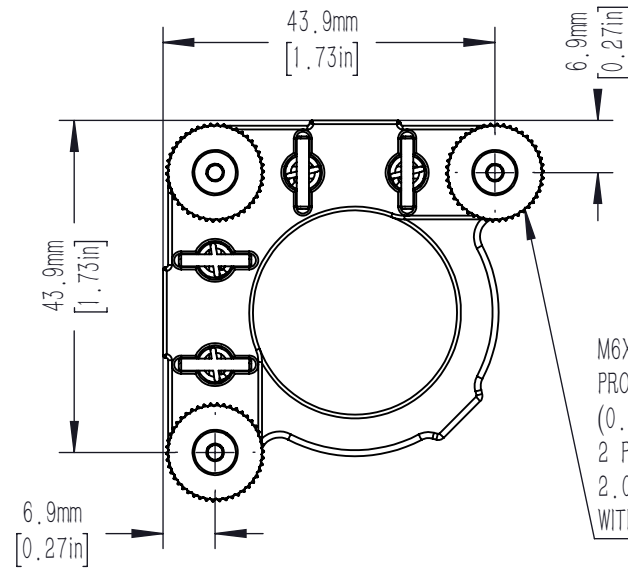
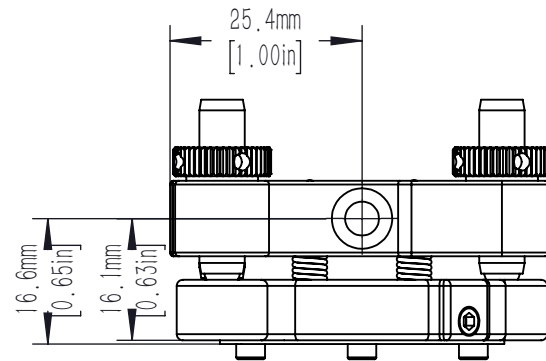


视图 A



MOUNTING DOUBLE-BORE
ACCEPTS 30mm [1.18in] × 5 mm [0.26in] THICK OPTICS
5mm [0.26in] DEEP
27mm [1.06in] CLEAR APERTURE



M6X0.25 ADJUSTER SCREWS
PROVIDES +/-4° TOTAL ANGULAR DISPLACEMENT
(0.4° PER REVOLUTION)
2 PLACES
2.0mm [5/64in] HEX
WITH LOCK NUTS

DRAWING PROJECTION			LBTEK			
NAME	DATE	AMM3-30BP2				
DRAWN	ZLI	JAN./25th/24	MIRROR MOUNT FOR ϕ 30 × 5mm OPTICS			
APPROVAL	HDE	JAN./25th/24	MATERIAL	WEIGHT	SCALE	REV
FOR INFORMATION ONLY NOT FOR MANUFACTURING PURPOSES			N/A	0.060 Kg	1:1	A