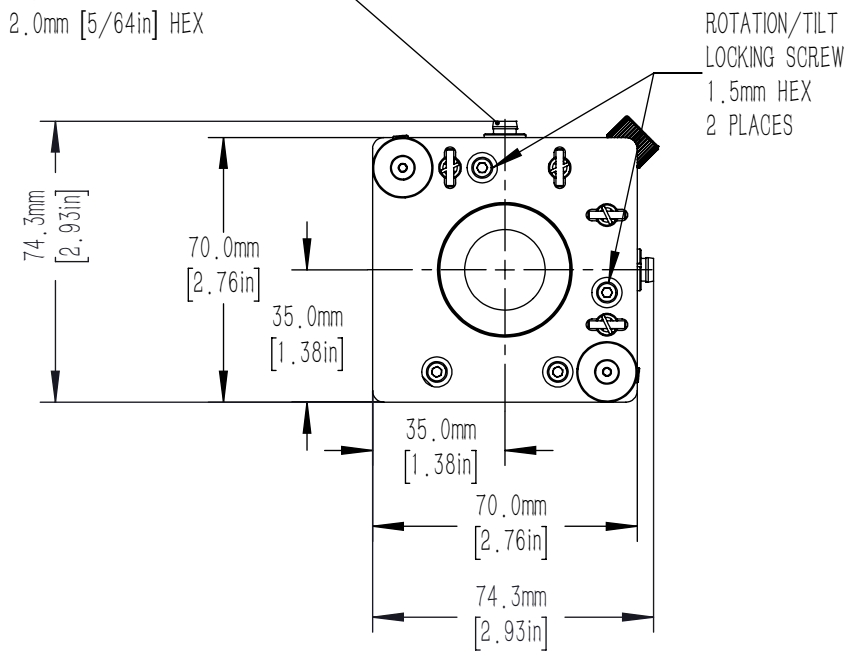
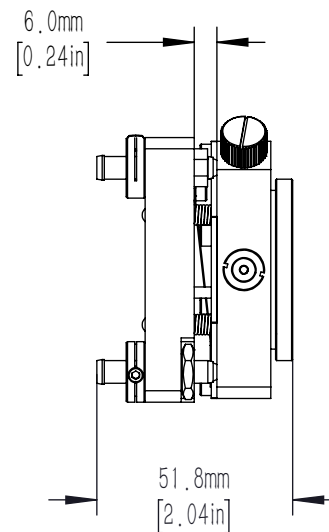
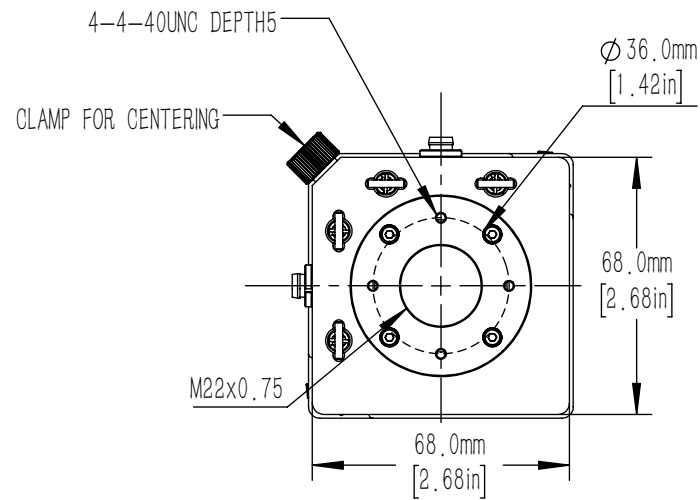
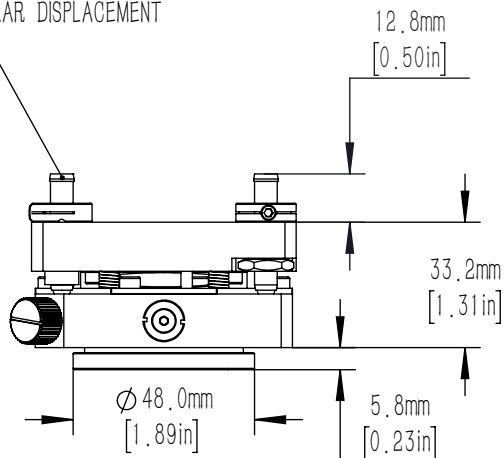


M6X0.25 X/YADJUSTER SCREWS
PROVIDES +/-1.0mm TOTAL LINEAR DISPLACEMENT
(0.25mm PER REVOLUTION)
2 PLACES
2.0mm [5/64in] HEX



M6X0.25 LOCKABLE ADJUSTER SCREWS
PROVIDES +/-2° TOTAL ANGULAR DISPLACEMENT
(0.27° PER REVOLUTION)
2 PLACES
2.0mm [5/64in] HEX



DRAWING PROJECTION			LBTEK			
	NAME	DATE				
DRAWN	CZH	MAR./6th/20	LASER BEAM EXPANDER MOUNTING FRAME			
APPROVAL	HDE	MAR./6th/20	MATERIAL	WEIGHT	SCALE	REV
FOR INFORMATION ONLY NOT FOR MANUFACTURING PURPOSES			N/A	0.345 Kg	1:2	A