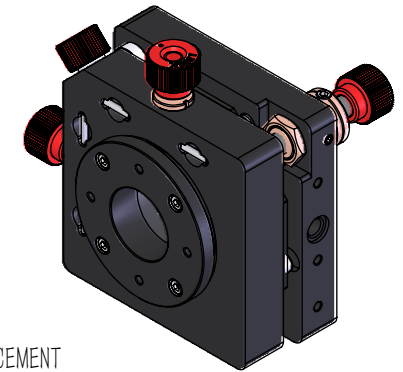
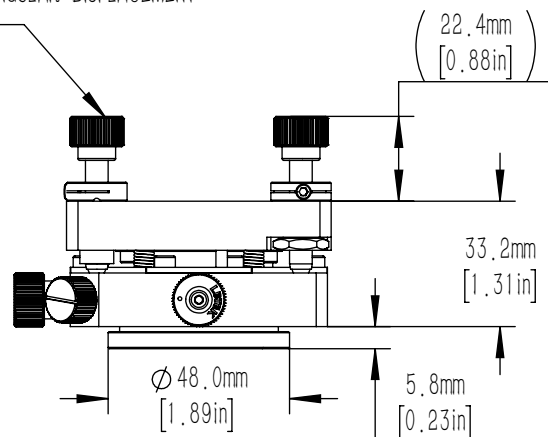
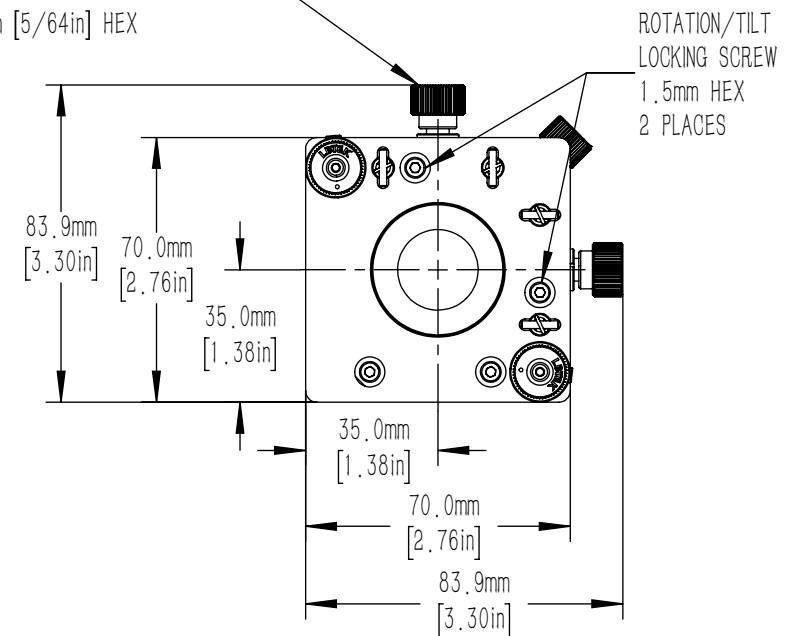


M6X0.25 LOCKABLE ADJUSTER SCREWS
 PROVIDES +/-2° TOTAL ANGULAR DISPLACEMENT
 (0.27° PER REVOLUTION)
 2 PLACES
 2.0mm [5/64in] HEX



M6X0.25 X/ADJUSTER SCREWS
 PROVIDES +/-1.0mm TOTAL LINEAR DISPLACEMENT
 (0.25mm PER REVOLUTION)
 2 PLACES
 2.0mm [5/64in] HEX



DRAWING PROJECTION			LBTEK			
NAME	DATE	AMM4-LBE-M22				
DRAWN	HDE	Aug./7th/23	LASER BEAM EXPANDER MOUNTING FRAME			
APPROVAL	ZXU	Aug./7th/23	MATERIAL	WEIGHT	SCALE	REV
FOR INFORMATION ONLY NOT FOR MANUFACTURING PURPOSES			N/A	0.358 Kg	1:2	A