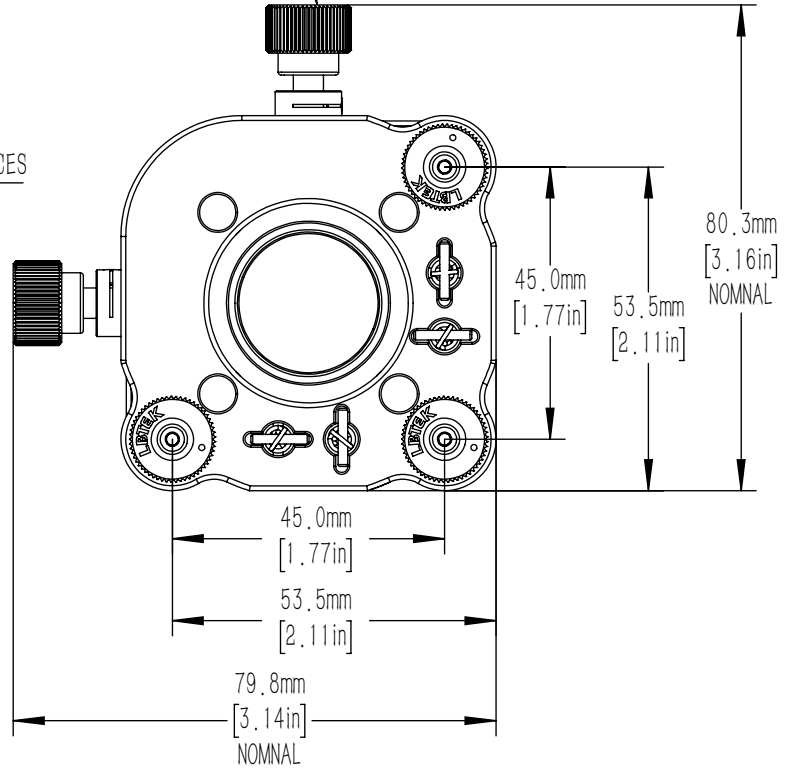
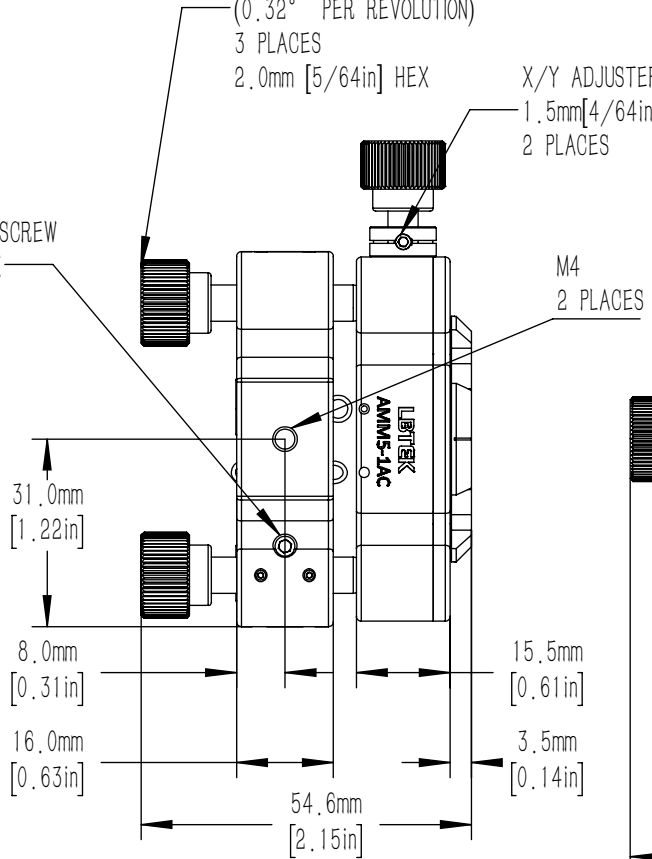
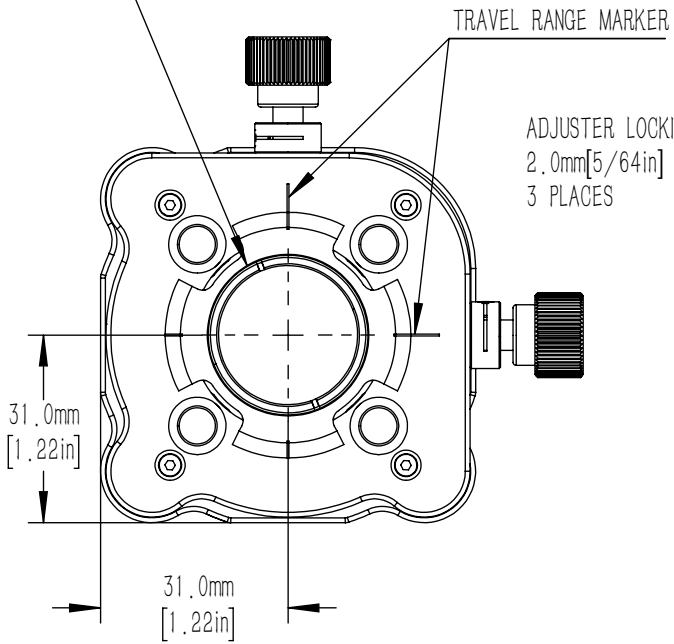


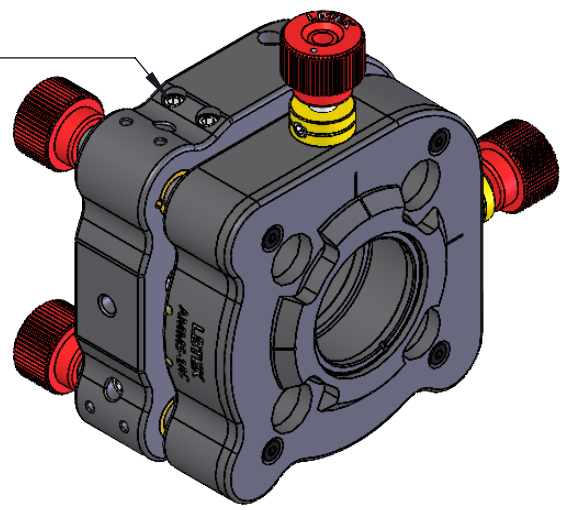
SM1 (1.035in-40) SERIES INTERNAL THREAD  
 ACCEPTS  $\phi 25.4\text{mm}$  [1.00in] MAXIMUM 10.0mm [0.39in] THICK OPTICS  
 1 SM1R RETAINING RINGS INCLUDED  
 $\phi 23.0\text{mm}$  [0.90in] CLEAR APERTURE

M6X0.25 LOCKABLE ADJUSTER SCREWS  
 PROVIDES  $\pm 4^\circ$  TOTAL ANGULAR DISPLACEMENT  
 (0.32° PER REVOLUTION)  
 3 PLACES  
 2.0mm [5/64in] HEX

M5X0.25 LOCKABLE ADJUSTER SCREWS  
 PROVIDES  $\pm 1\text{mm}$  TOTAL X/Y DISPLACEMENT  
 (0.25mm PER REVOLUTION)  
 2 PLACES  
 2.0mm [5/64in] HEX



CAGE ROD LOCKING SET SCREW  
 2.0 mm HEX  
 8 PLACES



DRAWING PROJECTION			<b>LBTEK</b>			
NAME	DATE	AMM5-1AC				
DRAWN	GWE	MAR./6th/20	5-AXIS MIRROR MOUNT WITH SM1 THREAD FOR $\phi 25.4\text{mm}$ OPTICS			
APPROVAL	YLI	MAR./6th/20	MATERIAL	WEIGHT	SCALE	REV
FOR INFORMATION ONLY NOT FOR MANUFACTURING PURPOSES			N/A	0.265 Kg	4:5	D