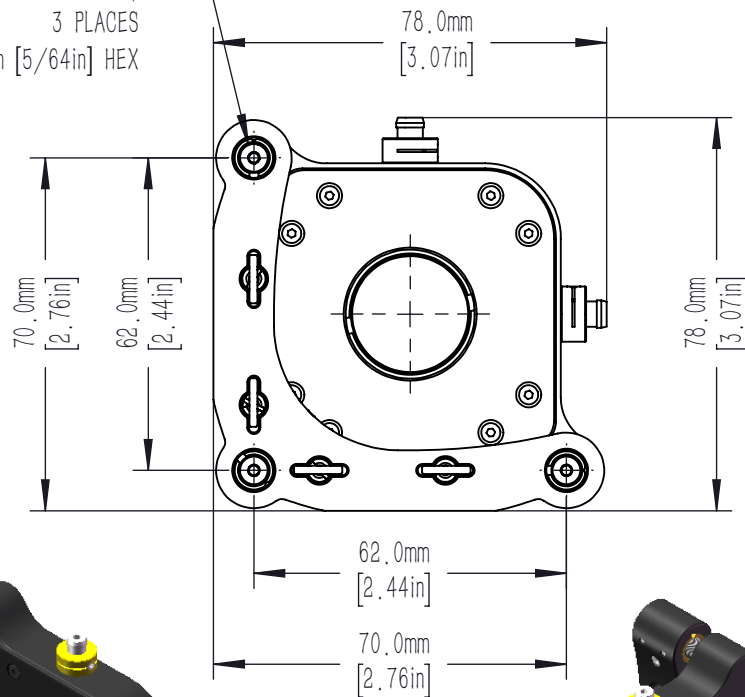
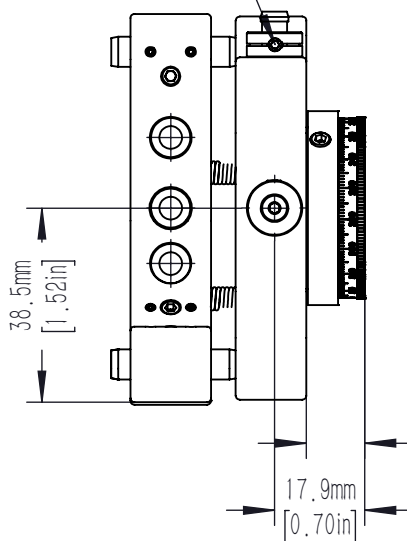
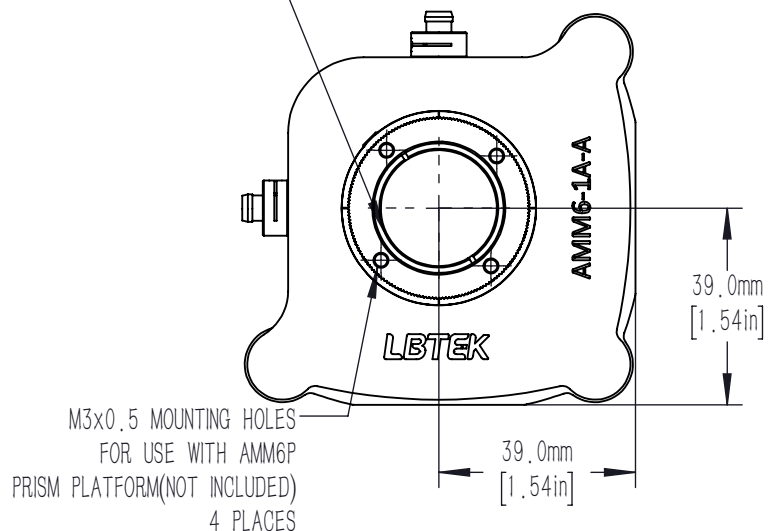


SM1 (1.035in-40) SERIES INTERNAL THREAD  
 ACCEPTS  $\phi 25.4\text{mm}$  [ 1.00in] MAXIMUM 15.8mm[0.62in] THICK OPTICS  
 1 SM1R RETAINING RINGS INCLUDED  
 2.0mm [0.08in] THICK  
 $\phi 23.0\text{mm}$  [ 0.90in] CLEAR APERTURE

M6X0.25 LOCKABLE ADJUSTER SCREWS  
 PROVIDES  $\pm 4^\circ$  TOTAL ANGULAR DISPLACEMENT  
 (0.23° PER REVOLUTION)

X/Y ADJUST LOCKING SCREW  
 1.5mm HEX  
 2 PLACES

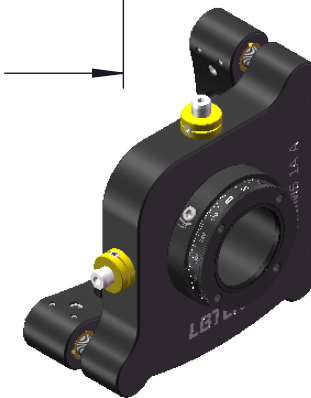
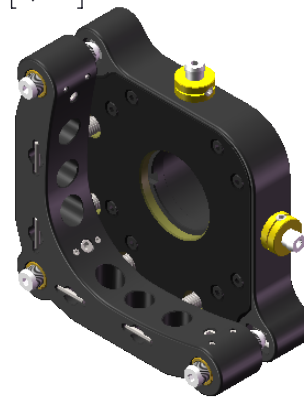
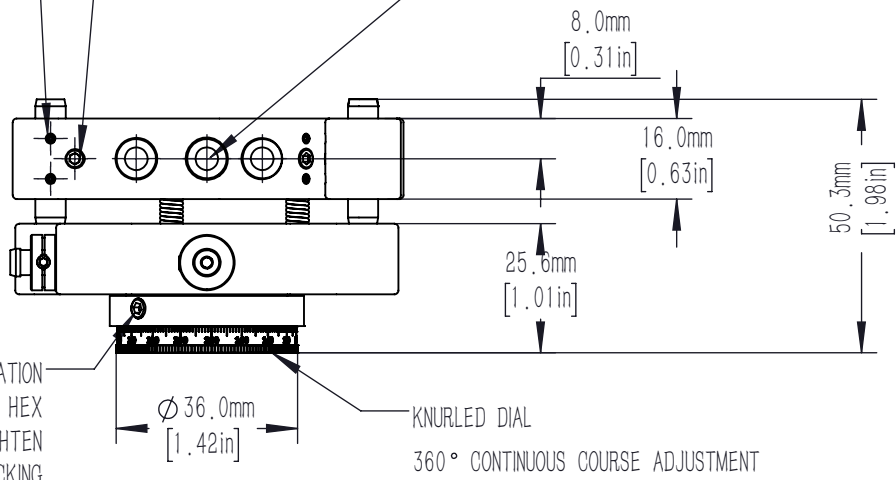
3 PLACES  
 2.0mm [5/64in] HEX



PRETENSION SCREWS TO  
 MINIMIZE BEAM SHIFT  
 6 PLACES  
 DO NOT ADJUST

ADJUSTER LOCKING SCREW  
 2.0mm [5/64in] HEX  
 3 PLACES

M4 COUNTERBORE  
 6 PLACES



|  |      |             |   |         |       |     |
|--|------|-------------|---|---------|-------|-----|
| DRAWING PROJECTION                                     |      |             | <b>LBTEK</b>  |         |       |     |
|  | NAME | DATE        |   |         |       |     |
| DRAWN  | CZH  | MAR./6th/20 | 6-AXIS MIRROR MOUNT WITH SM1 THREAD FOR $\phi 25.4\text{mm}$ OPTICS |         |       |     |
| APPROVAL   | HDE  | MAR./6th/20 | MATERIAL  | WEIGHT  | SCALE | REV |
| FOR INFORMATION ONLY<br>NOT FOR MANUFACTURING PURPOSES |      |             | N/A   | 0.45 Kg | 1:1.5 | A   |