

SM1 (1.035in-40) SERIES INTERNAL THREAD  
ACCEPTS  $\phi 25.4\text{mm}$  [ 1.00in] MAXIMUM 15.8mm[0.62in] THICK OPTICS  
1 SM1R RETAINING RINGS INCLUDED  
2.0mm [0.08in] THICK  
 $\phi 23.0\text{mm}$  [ 0.90in] CLEAR APERTURE

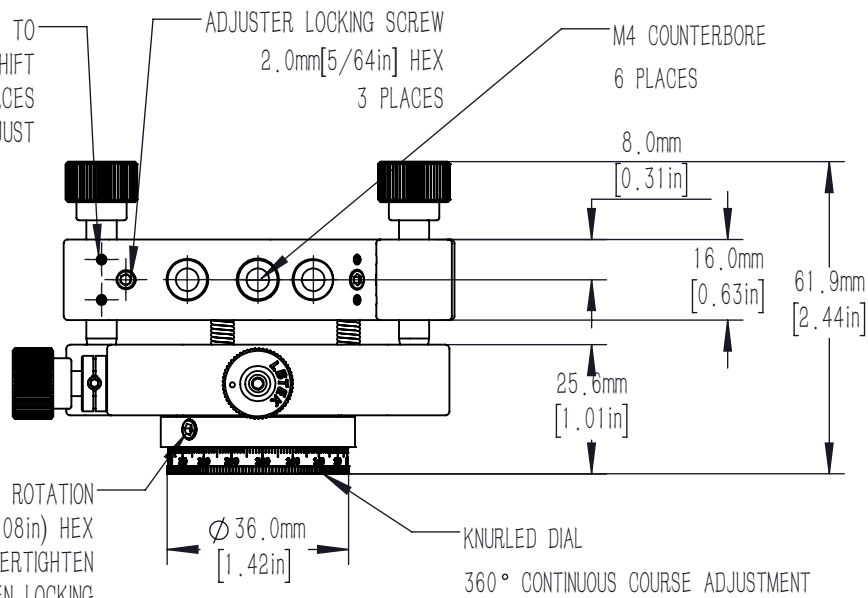
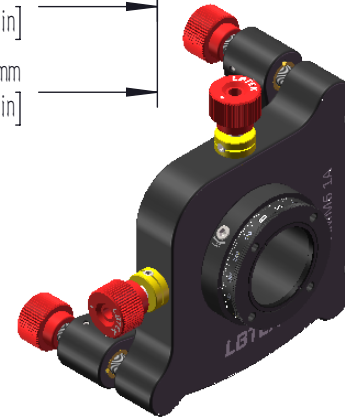
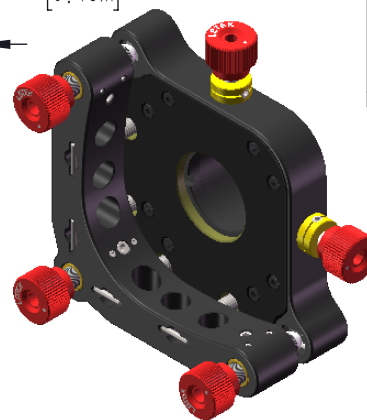
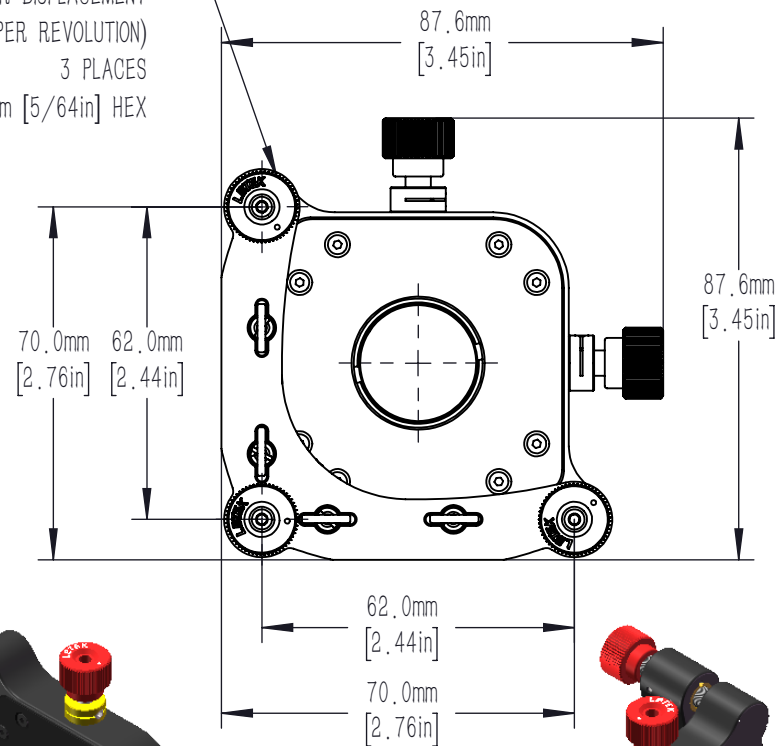
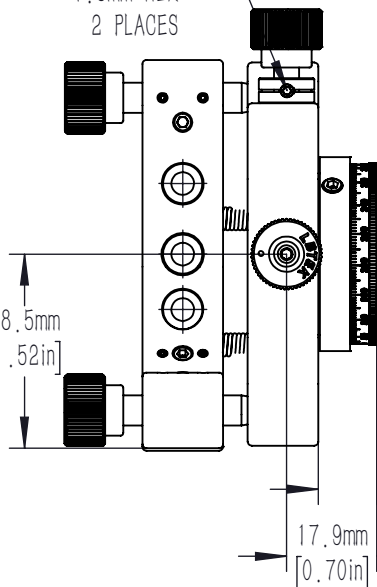
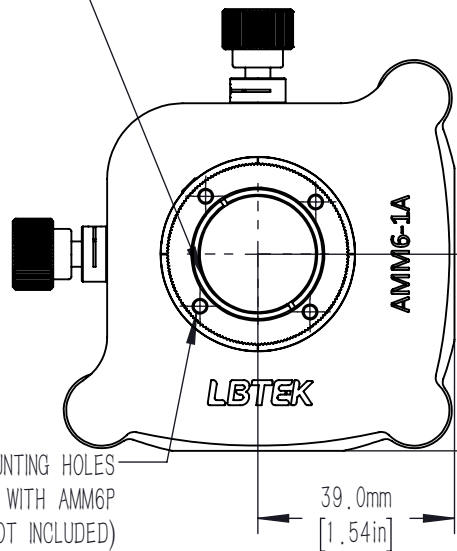
M6X0.25 LOCKABLE ADJUSTER SCREWS  
PROVIDES  $\pm 4^\circ$  TOTAL ANGULAR DISPLACEMENT  
(0.23° PER REVOLUTION)  
3 PLACES  
2.0mm [5/64in] HEX

X/Y ADJUST LOCKING SCREW  
1.5mm HEX  
2 PLACES

M3x0.5 MOUNTING HOLES  
FOR USE WITH AMM6P  
PRISM PLATFORM (NOT INCLUDED)  
4 PLACES

PRETENSION SCREWS TO  
MINIMIZE BEAM SHIFT  
6 PLACES  
DO NOT ADJUST

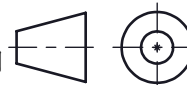
AMM6-1A  
LBTEK



LOCKING SCREW FOR ROTATION  
2.0mm (0.08in) HEX  
DO NOT OVERTIGHTEN  
WHEN LOCKING

KNURLED DIAL  
360° CONTINUOUS COURSE ADJUSTMENT

DRAWING PROJECTION



**LBTEK**

	NAME	DATE	AMM6-1A			
DRAWN	YCH	SEP./7th/20	6-AXIS MIRROR MOUNT WITH SM1 THREAD FOR $\phi 25.4\text{mm}$ OPTICS			
APPROVAL	ZHE	SEP./7th/20	MATERIAL	WEIGHT	SCALE	REV
FOR INFORMATION ONLY NOT FOR MANUFACTURING PURPOSES			N/A	0.45 Kg	1:1.5	B