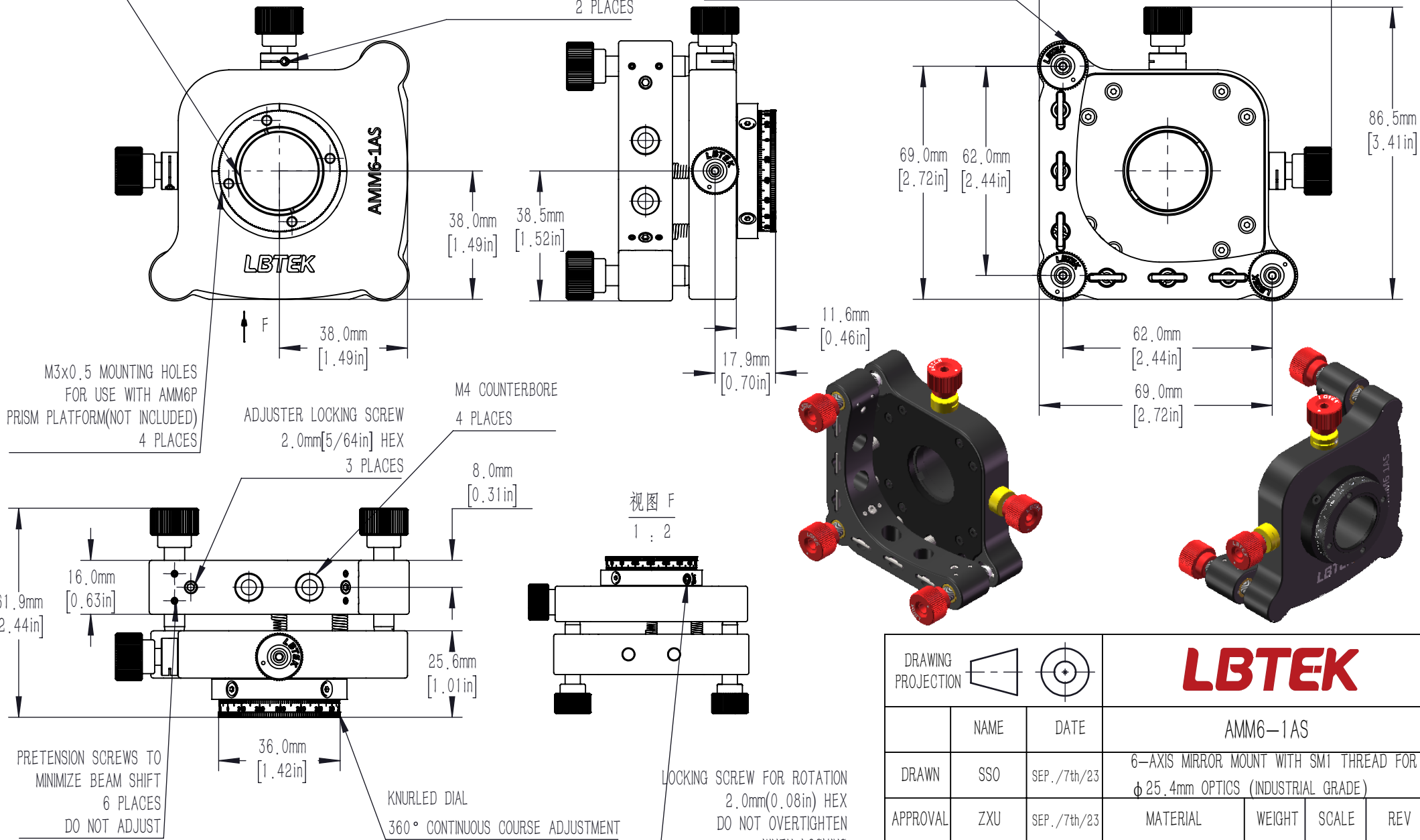


SM1 (1.035in-40) SERIES INTERNAL THREAD
 ACCEPTS $\varnothing 25.4\text{mm}$ [1.00in] MAXIMUM 15.8mm[0.62in] THICK OPTICS
 1 SM1R RETAINING RINGS INCLUDED
 2.0mm [0.08in] THICK
 $\varnothing 23.0\text{mm}$ [0.90in] CLEAR APERTURE

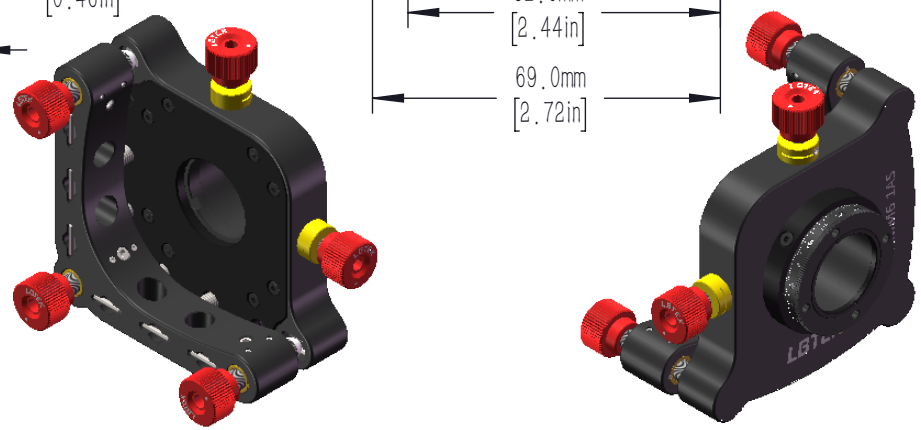
M6X0.25 LOCKABLE ADJUSTER SCREWS
 PROVIDES $\pm 4^\circ$ TOTAL ANGULAR DISPLACEMENT
 (0.23° PER REVOLUTION)
 3 PLACES
 2.0mm [5/64in] HEX

X/Y ADJUST LOCKING SCREW
 1.5mm HEX
 2 PLACES

3 PLACES
 2.0mm [5/64in] HEX



视图 F
 1 : 2



DRAWING PROJECTION				LBTEK			
DRAWN	SSO	SEP./7th/23	6-AXIS MIRROR MOUNT WITH SM1 THREAD FOR $\varnothing 25.4\text{mm}$ OPTICS (INDUSTRIAL GRADE)				
APPROVAL	ZXU	SEP./7th/23	MATERIAL	WEIGHT	SCALE	REV	
FOR INFORMATION ONLY NOT FOR MANUFACTURING PURPOSES			N/A	0.45 Kg	1:1.5	B	