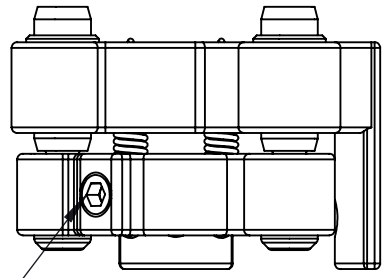
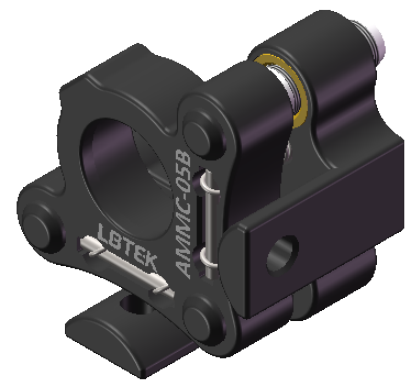


M4X0.7 THROUGH TAPPED HOLE
2 PLACES
CENTER AXIS ALIGNED TO
OPTICAL MOUNTING PLANE

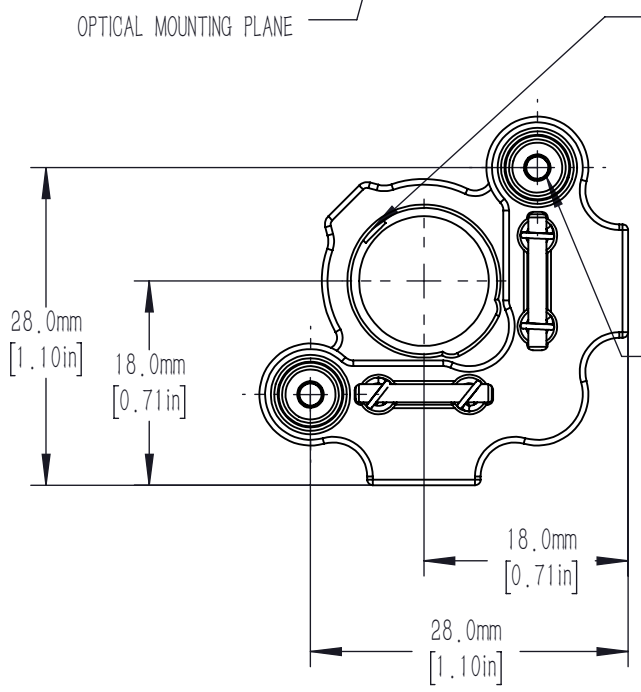
NYLON-TIPPED SET SCREW
FOR SECURING OF MOUNTED OPTIC
2.0mm [5/64in] HEX



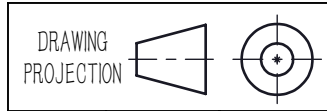
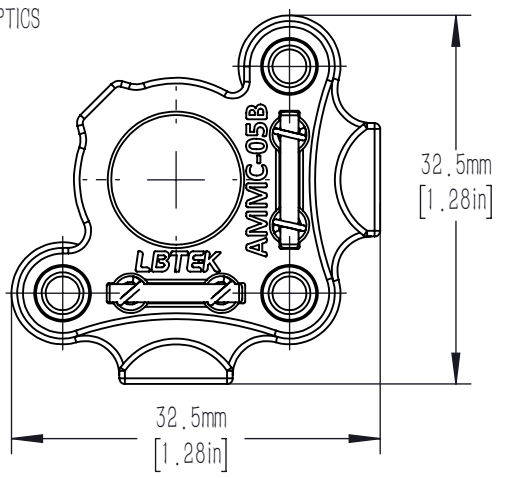
▲ A
|
- - -
VIEW A



MOUNTING DOUBLE-BORE
ACCEPTS ϕ 12.7mm [0.50in] MINIMUM 2.0mm [0.08in] THICK OPTICS
5.7mm [0.22in] DEEP
 ϕ 11.4mm [0.45in] CLEAR APERTURE



M5X0.25 ADJUSTER SCREWS
PROVIDES $\pm 4^\circ$ TOTAL ANGULAR DISPLACEMENT
(0.72° PER REVOLUTION)
2 PLACES
2.0mm [5/64in] HEX



LBTEK

| | | | | | | | | |
|--|------|--------------|--|--|---------|----------|-----|--|
| DRAWING PROJECTION | | NAME | | DATE | | AMMC-05B | | |
| DRAWN | YCH | JUN./28th/19 | | CENTER AXIS ALIGNED MIRROR MOUNT WITH UNTHREADED HOLE FOR ϕ 12.7mm OPTICS | | | | |
| APPROVAL | LDAI | JUN./28th/19 | | MATERIAL | WEIGHT | SCALE | REV | |
| FOR INFORMATION ONLY NOT FOR MANUFACTURING PURPOSES | | | | N/A | 0.03 Kg | 1.5:1 | B | |