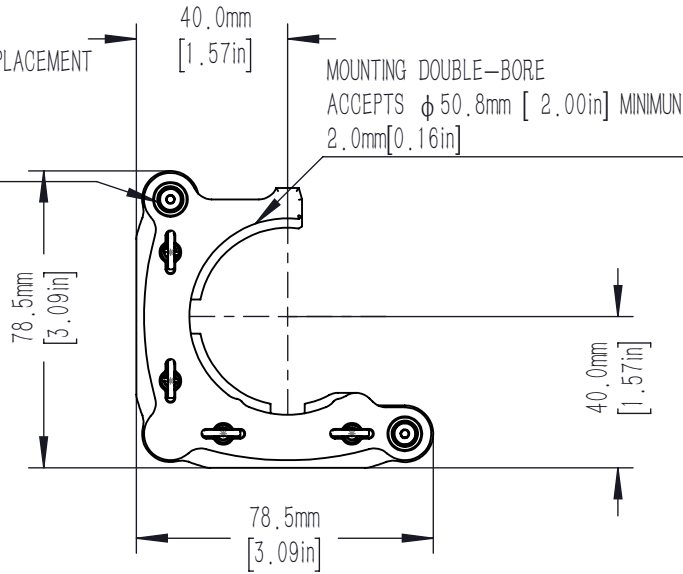
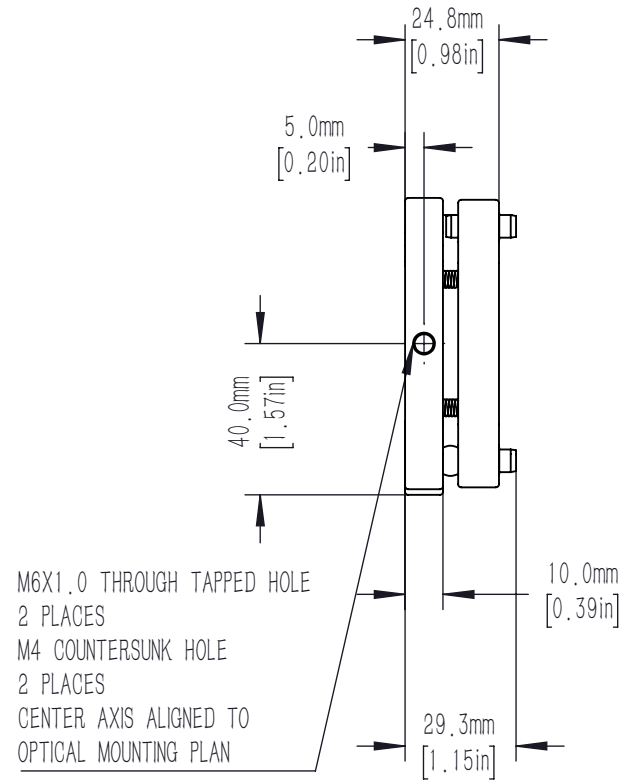
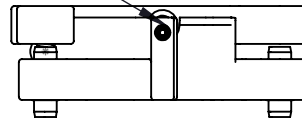


M6X0.25 ADJUSTER SCREWS  
 PROVIDES +/-3° TOTAL ANGULAR DISPLACEMENT  
 (0.23° PER REVOLUTION)  
 2 PLACES  
 2.0mm [5/64in] HEX



MOUNTING DOUBLE-BORE  
 ACCEPTS  $\phi$  50.8mm [ 2.00in] MINIMUM  
 2.0mm[0.16in]

NYLON-TIPPED SET SCREW  
 FOR SECURING OF MOUNTED OPTIC  
 2.0mm [5/64in] HEX



M6X1.0 THROUGH TAPPED HOLE  
 2 PLACES  
 M4 COUNTERSUNK HOLE  
 2 PLACES  
 CENTER AXIS ALIGNED TO  
 OPTICAL MOUNTING PLAN

DRAWING PROJECTION			<b>LBTEK</b>			
NAME	DATE	AMMC-2C				
DRAWN	CZH	NOV./1st/23	CENTER AXIS ALIGNED MIRROR MOUNT WITH UNTHREADED HOLE FOR $\phi$ 50.8mm OPTICS			
APPROVAL	ZXU	NOV./1st/23	MATERIAL	WEIGHT	SCALE	REV
FOR INFORMATION ONLY NOT FOR MANUFACTURING PURPOSES			N/A	0.224 Kg	1:2	B