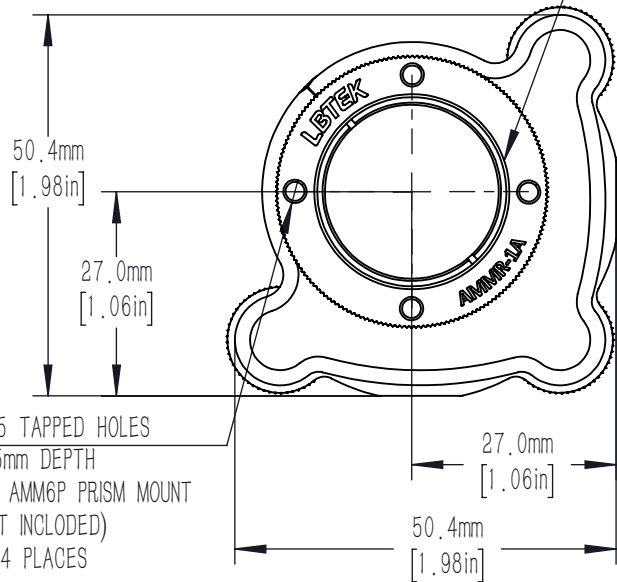


SM1 (1.035in-40) SERIES INTERNAL THREAD
ACCEPTS $\phi 25.4\text{mm}$ [1.00in] MAXIMUM 9.4mm[0.37in] THICK OPTICS
1 SM1R RETAINING RINGS INCLUDED
2.0mm [0.08in] THICK
 $\phi 23.0\text{mm}$ [0.90in] CLEAR APERTURE



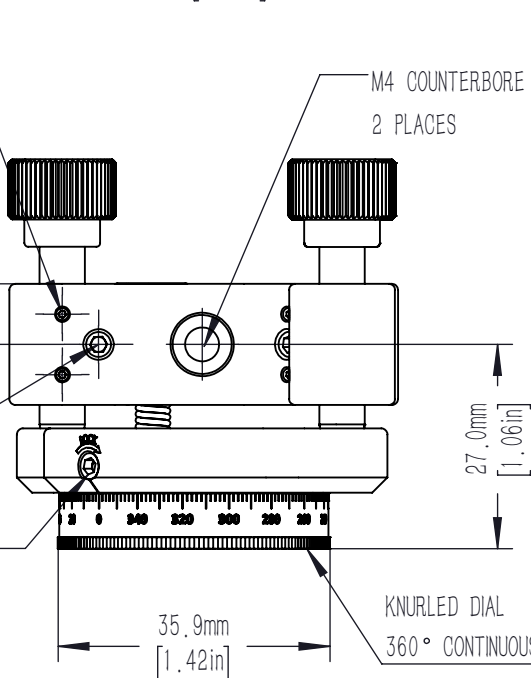
PRETENSION SCREWS TO
MINIMIZE BEAM SHIFT
6 PLACES
DO NOT ADJUST

8.0mm [0.31in]

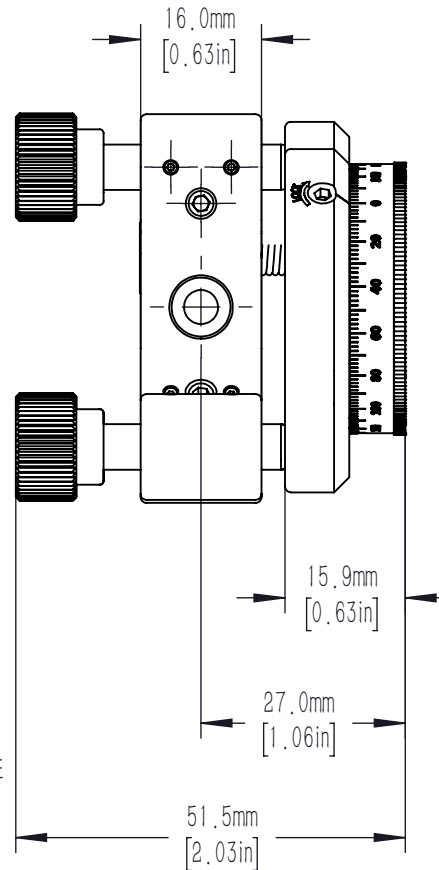
M4 COUNTERBORE
2 PLACES

ADJUSTER LOCKING SCREW
2.0mm[5/64in] HEX
3 PLACES

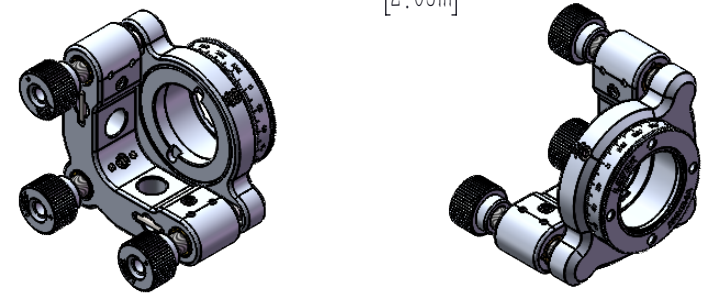
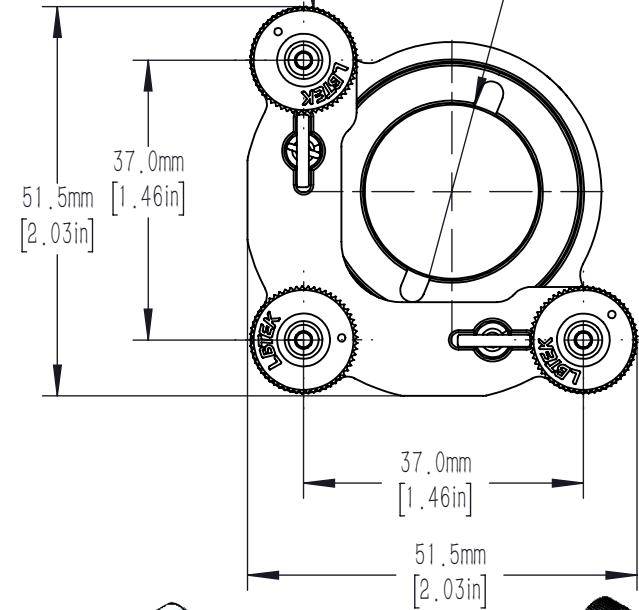
LOCKING SCREW FOR ROTATION
2.0mm(0.08in) HEX
DO NOT OVERTIGHTEN
WHEN LOCKING



M6X0.25 LOCKABLE ADJUSTER SCREWS
PROVIDES $\pm 4^\circ$ TOTAL ANGULAR DISPLACEMENT
(0.4° PER REVOLUTION)
3 PLACES
2.0mm [5/64in] HEX



$\phi 23.0\text{mm}$ CLEAR APERTURE
[0.91in]



DRAWING PROJECTION			LBTEK			
	NAME	DATE	AMMR-1A			
DRAWN	CZH	SEPT./3rd/23	ROTATION MIRROR MOUNT WITH SM1 THREADED FOR $\phi 25.4\text{mm}$ OPTICS			
APPROVAL	ZXU	SEPT./3rd/23	MATERIAL	WEIGHT	SCALE	REV
FOR INFORMATION ONLY NOT FOR MANUFACTURING PURPOSES			N/A	0.120 Kg	1:1	C