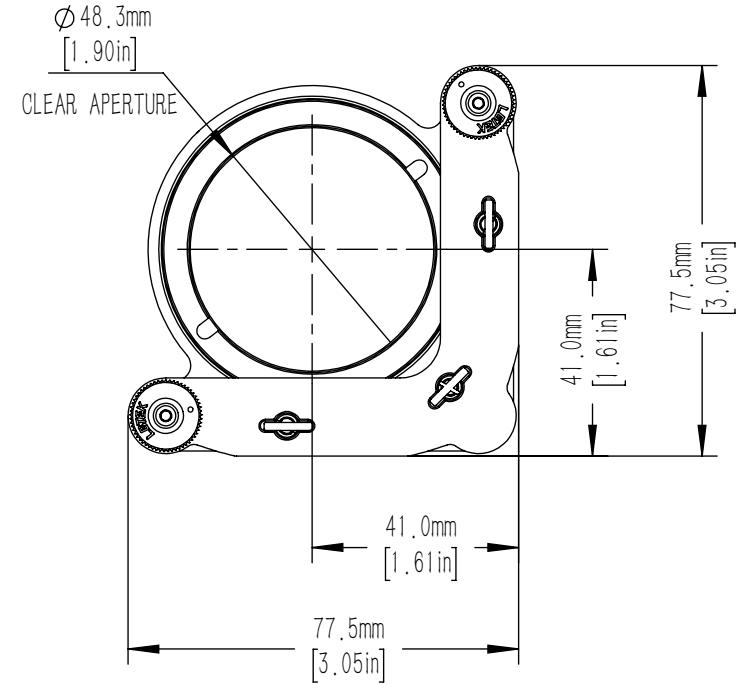
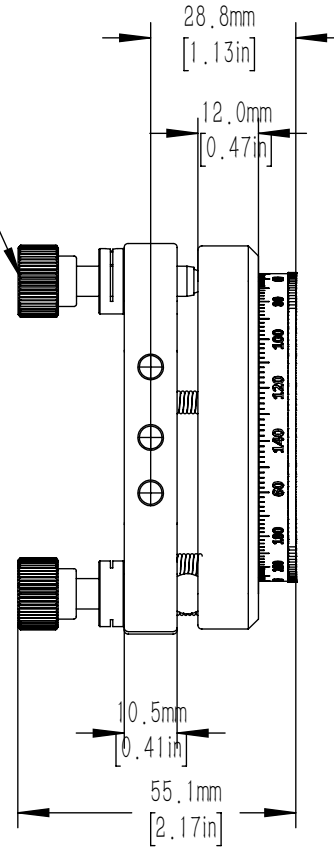
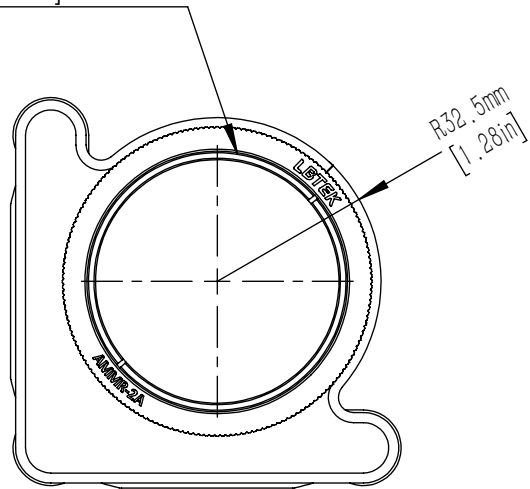


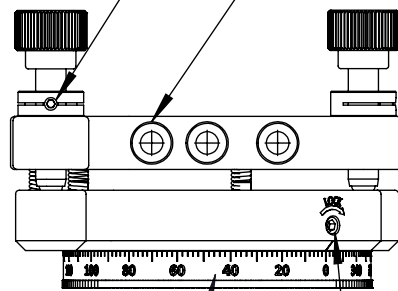
SM2 [2.035in-40] MOUNTING HOLE  
 HOLDS 2.00in [50.8mm] OPTICS  
 UP TO 0.47in [12.0mm] THICK  
 SM2R RETAINING RING INCLUDED  
 [OPTIC NOT INCLUDED]

M6X0.25 ADJUSTER SCREWS PROVIDES  
 +/-3° TOTAL ANGULAR DISPLACEMENT  
 (0.23° PER REVOLUTION)  
 2 PLACES 2.0mm [5/64in] HEX



ADJUSTER LOCKING SCREW  
 1.5mm HEX

MOUNTING HOLE FOR  
 M4 SOCKET HEAD CAP SCREW  
 6 PLACES



KNURLED DIAL  
 360° CONTINUOUS COURSE ADJUSTMENT

LOCKING SCREW FOR ROTATION  
 2.0mm (0.08in) HEX  
 DO NOT OVERTIGHTEN  
 WHEN LOCKING



DRAWING PROJECTION			<b>LBTEK</b>			
	NAME	DATE				
DRAWN	SSO	AU./22nd/23	OPTICAL ROTARY ADJUSTMENT BRACKET FOR Φ50.8 MM OPTICAL ELEMENT			
APPROVAL	ZXU	AU./22nd/23	MATERIAL	WEIGHT	SCALE	REV
FOR INFORMATION ONLY NOT FOR MANUFACTURING PURPOSES			N/A	0.189 Kg	2.3	B