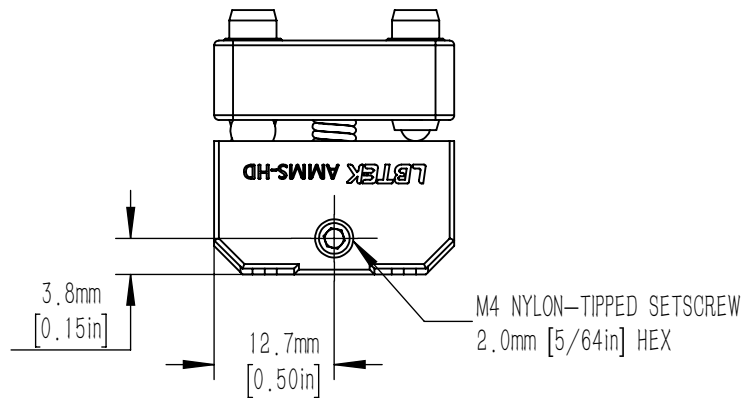


M5X0.25 ADJUSTER SCREWS
 PROVIDES +/-4° TOTAL ANGULAR DISPLACEMENT
 (0.84° PER REVOLUTION)
 2.0mm [5/64in] HEX
 2 PLACES



DRAWING PROJECTION			LBTEK			
	NAME	DATE	AMMS-HD			
DRAWN	HDE	Oct./11th/16	HEX ADJUSTER KINEMATIC MOUNT FOR SQUARE AND RECTANGULAR OPTICS			
APPROVAL	ZXU	Oct./11th/16	MATERIAL	WEIGHT	SCALE	REV
FOR INFORMATION ONLY NOT FOR MANUFACTURING PURPOSES			ALUMINUM	0.039 Kg	5:4	B