

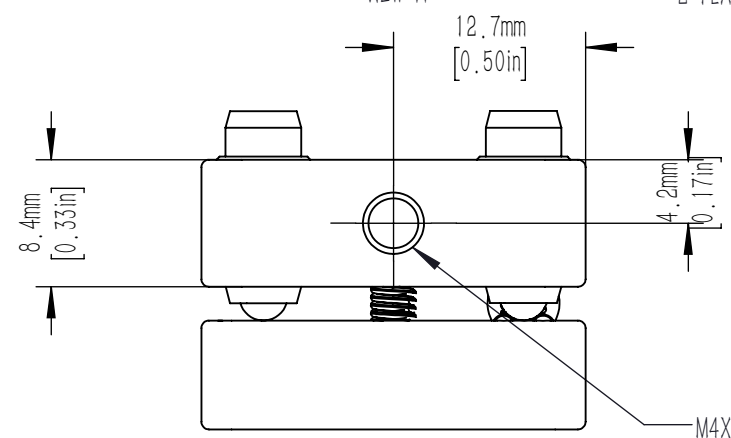
M4X0.7 MOUNTING HOLE



M5X0.25 ADJUSTER SCREWS
 PROVIDES +/-4° TOTAL ANGULAR DISPLACEMENT
 (0.84° PER REVOLUTION)
 2.0mm [5/64in] HEX
 2 PLACES

M6X1.0 MOUNTING HOLE

VIEW A



M4X0.7 MOUNTING HOLE
 5.5mm [0.22in] DEEP

DRAWING PROJECTION			LBTEK			
	NAME	DATE				
DRAWN	YCH	MAR./6th/20	COMPACT ADJUSTER MIRROR MOUNT			
APPROVAL	ZHE	MAR./6th/20	MATERIAL	WEIGHT	SCALE	REV
FOR INFORMATION ONLY NOT FOR MANUFACTURING PURPOSES			N/A	0.026 Kg	2:1	B