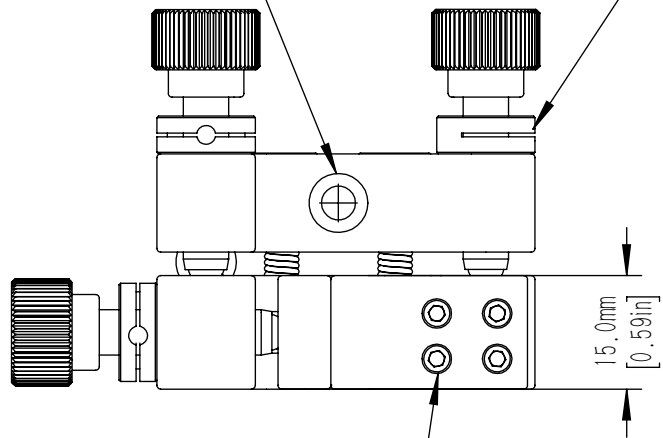


2 × M4 COUNTERSUNK MOUNTING HOLE

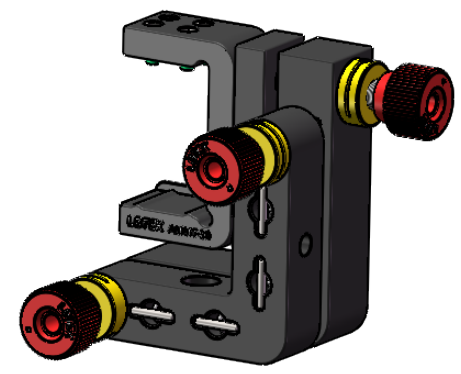
ADJUSTER LOCKING SCREW  
1.5mm HEX



4 × M4 RUBBER HEAD SCREW  
FIXING GUANGXUEYUANJ

M6X0.25 ADJUSTER SCREWS PROVIDES  
+/-4° TOTAL ANGULAR DISPLACEMENT  
(0.38° PER REVOLUTION)  
2 PLACES 2.0mm [5/64in] HEX

M6X0.25 ADJUSTER SCREWS PROVIDES  
+/-4° TOTAL ANGULAR DISPLACEMENT  
(0.44° PER REVOLUTION)  
2.0mm [5/64in] HEX



DRAWING PROJECTION			<b>LBTEK</b>			
	NAME	DATE				
DRAWN	SSO	JU./22nd/23	THREE-DIMENSIONAL RECTANGULAR OPTICAL ADJUSTING FRAME			
APPROVAL	ZXU	JU./22nd/23	MATERIAL	WEIGHT	SCALE	REV
FOR INFORMATION ONLY NOT FOR MANUFACTURING PURPOSES			N/A	0.12 Kg	2.3	B