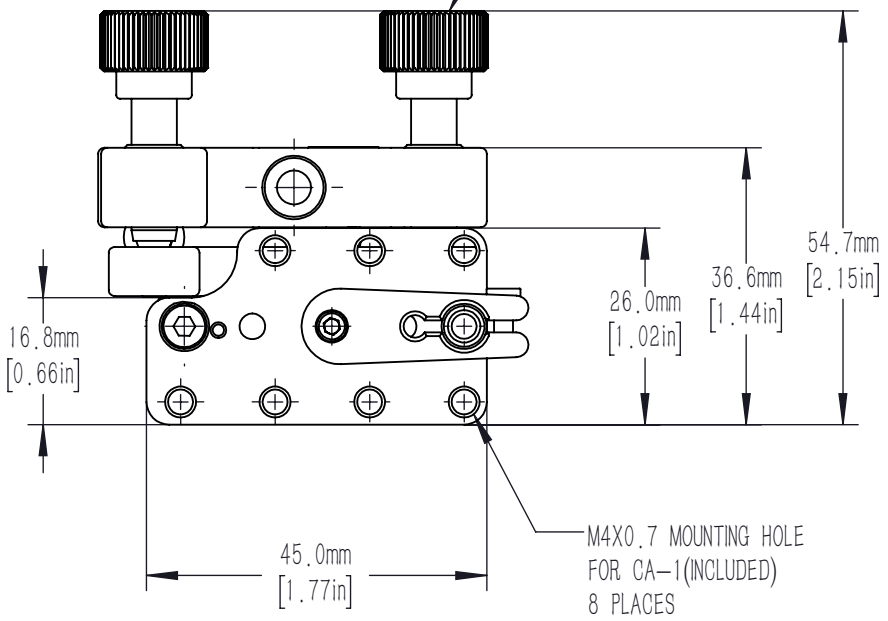


M6X0.25 ADJUSTER SCREWS PROVIDES +/-4° TOTAL ANGULAR DISPLACEMENT (0.4° PER REVOLUTION) 2 PLACES 2.0mm [5/64in] HEX



DRAWING PROJECTION			LBTEK			
	NAME	DATE				
DRAWN	CZH	JUN./12th/23	PRISM MOUNT, LEFT-HANDED CONFIGURATION			
APPROVAL	ZXU	JUN./12th/23	MATERIAL	WEIGHT	SCALE	REV
FOR INFORMATION ONLY NOT FOR MANUFACTURING PURPOSES			N/A	0.12 Kg	1:1	C