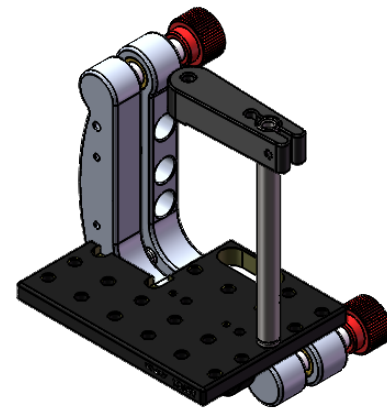
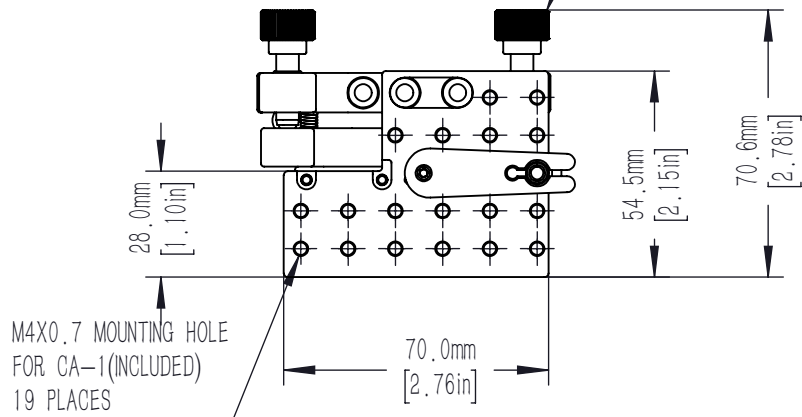


M6X0.25 ADJUSTER SCREWS
 PROVIDES +/-3° TOTAL ANGULAR DISPLACEMENT
 (0.23° PER REVOLUTION)
 2 PLACES
 2.0mm [5/64in] HEX



DRAWING PROJECTION							
	NAME	DATE	AMP-2L				
DRAWN	CZH	AUG./15th/23	PRISM MOUNT, RIGHT-HANDED CONFIGURATION				
APPROVAL	ZXU	AUG./15th/23	MATERIAL	WEIGHT	SCALE	REV	
FOR INFORMATION ONLY NOT FOR MANUFACTURING PURPOSES			N/A	0.272 Kg	1:2	C	