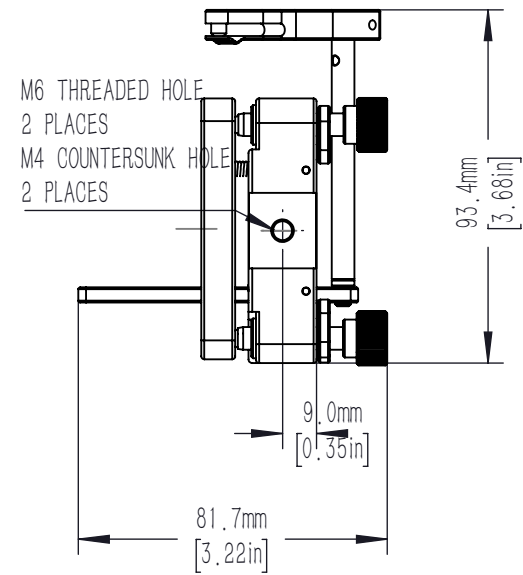
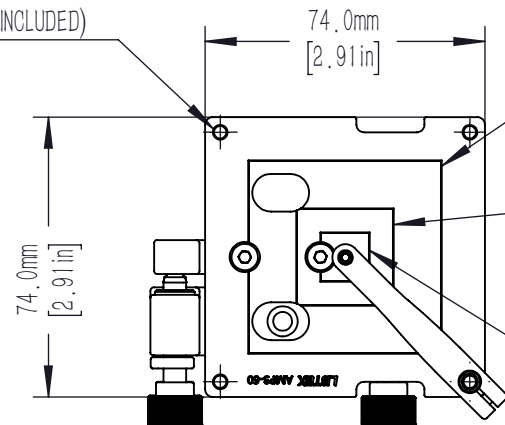


M6X0.25 ADJUSTER SCREWS
 PROVIDES +/-3° TOTAL ANGULAR DISPLACEMENT
 (0.25° PER REVOLUTION)
 3 PLACES
 2.0mm [5/64in] HEX



M4X0.7 MOUNTING HOLE
 FOR CA-X(INCLUDED)



LASER ENGRAVED WITNESS LINES
 FOR EASY ALIGNMENT OF 50 mm CUBE

LASER ENGRAVED WITNESS LINES
 FOR EASY ALIGNMENT OF 25 mm CUBE

LASER ENGRAVED WITNESS LINES
 FOR EASY ALIGNMENT OF 12.5 mm CUBE

DRAWING PROJECTION			LBTEK			
	NAME	DATE				
DRAWN	CZH	NOV./2nd/23	PRISM MOUNT, RIGHT-HANDED CONFIGURATION			
APPROVAL	ZXU	NOV./2nd/23	MATERIAL	WEIGHT	SCALE	REV
FOR INFORMATION ONLY NOT FOR MANUFACTURING PURPOSES			N/A	0.255 Kg	1:2	B