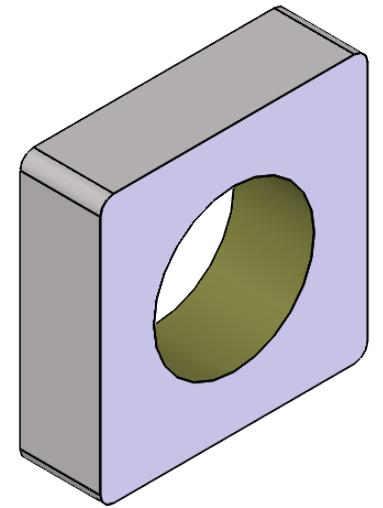
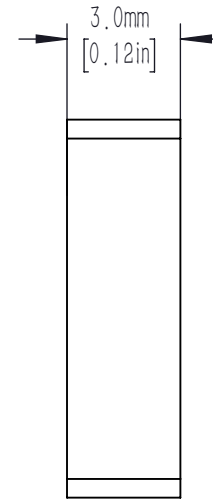


M6 x 1.0
TAPPED HOLES



DRAWING PROJECTION			LBTEK			
	NAME	DATE	AP25N1			
DRAWN	CZH	SEPT./7th/21	SQUARE NUT			
APPROVAL	ZXU	SEPT./7th/21	MATERIAL	WEIGHT	SCALE	REV
FOR INFORMATION ONLY NOT FOR MANUFACTURING PURPOSES			N/A	0.002 Kg	5:1	A