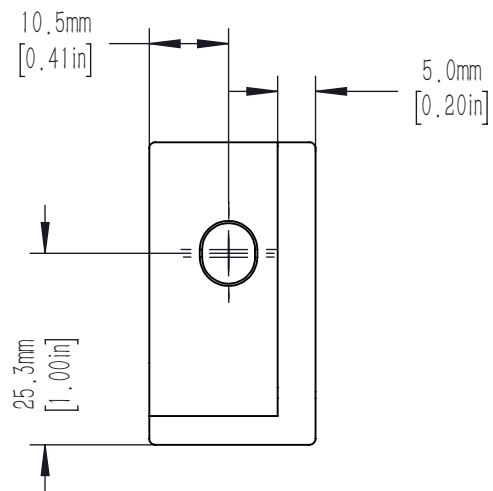
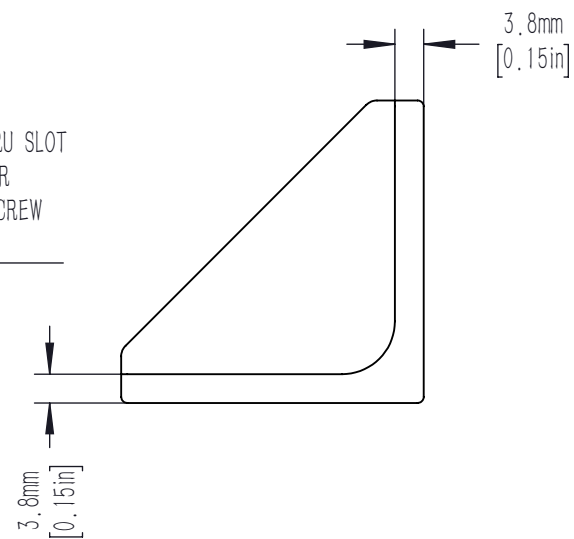


0.27in [7.0 mm] THRU SLOT
 ALLOWS CLEARANCE FOR
 M6 X 1.0 MOUNTING SCREW
 2 PLACES



DRAWING PROJECTION			LBTEK			
	NAME	DATE				
DRAWN	CZH	MAR./30th/22	RIGHT ANGLE ADAPTER PLATE			
APPROVAL	ZXU	MAR./30th/22	MATERIAL	WEIGHT	SCALE	REV
FOR INFORMATION ONLY NOT FOR MANUFACTURING PURPOSES			N/A	0.027 Kg	1:1	B